

ASSEMBLY AND INSTALLATION OF VALMONT HINGED POLES

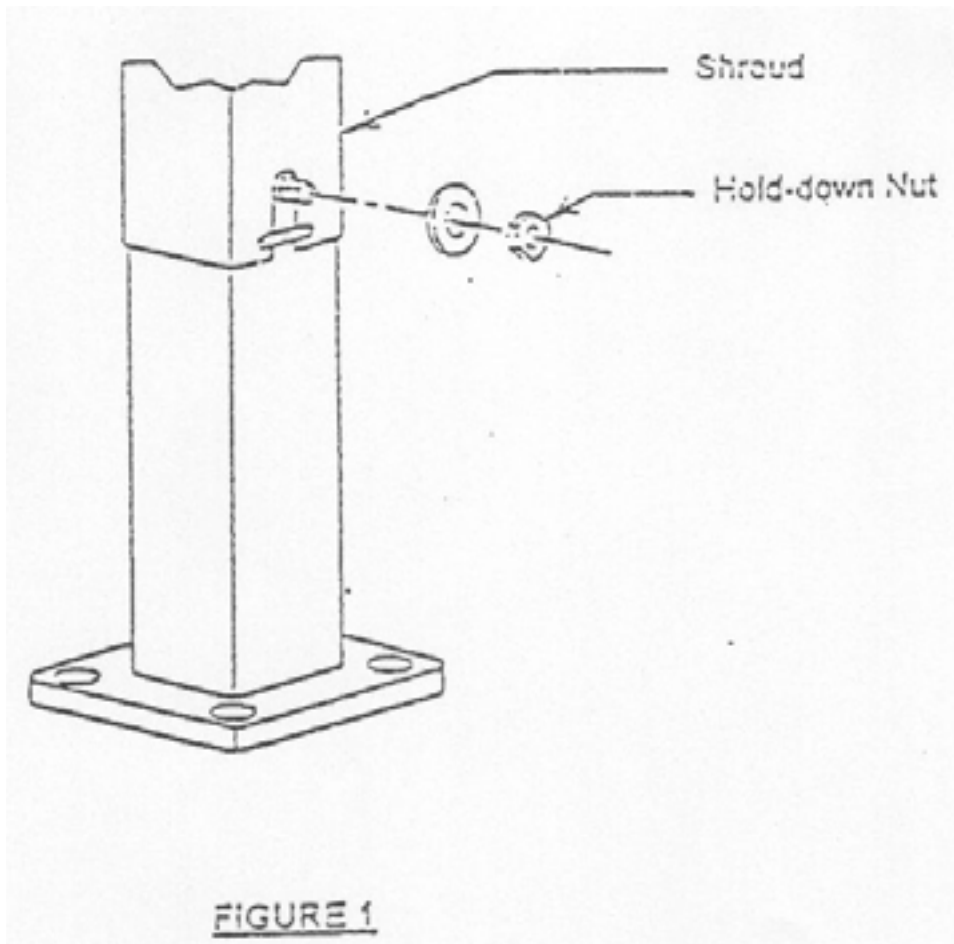
The following information is intended to be a helpful guide to the installing contractor. This information cannot be comprehensive enough to cover all situations or the details of all structures. Therefore it is essential that the owner and contractor carefully plan all aspects of the installation process, not relying only on these guidelines to determine the steps to be followed. This is general information about standard Valmont products. Special features required by individual owners may require unique installation methods. For these the Contractor must be familiar with the owner's plans and specifications and the Valmont submittal drawings (if any). Due to the varied methods used by contractors in actual field operations, Valmont Industries, Inc. cannot be liable for structural damage occurring during erection.

In addition to the steps below, please read the applicable portions of the "Installation and Maintenance Information" which is furnished with each shipment of Valmont structures and with each acknowledgment of an order.

CAUTION: Check spring grip washers (2) to make sure they are in place on hinge pin (1) before operating the hinge. (See Figure 2 of Page 2).

PROCEDURE

1. Remove hold-down nut from stud at base of shroud. (FIG1)



2. Rotate pole top at hinge. (FIG2).
3. String wire through pole as shown (FIG2). **CAUTION:** Wiring must pass through the wiring protection guide to assure that the insulation won't be damaged during raising and lowering.

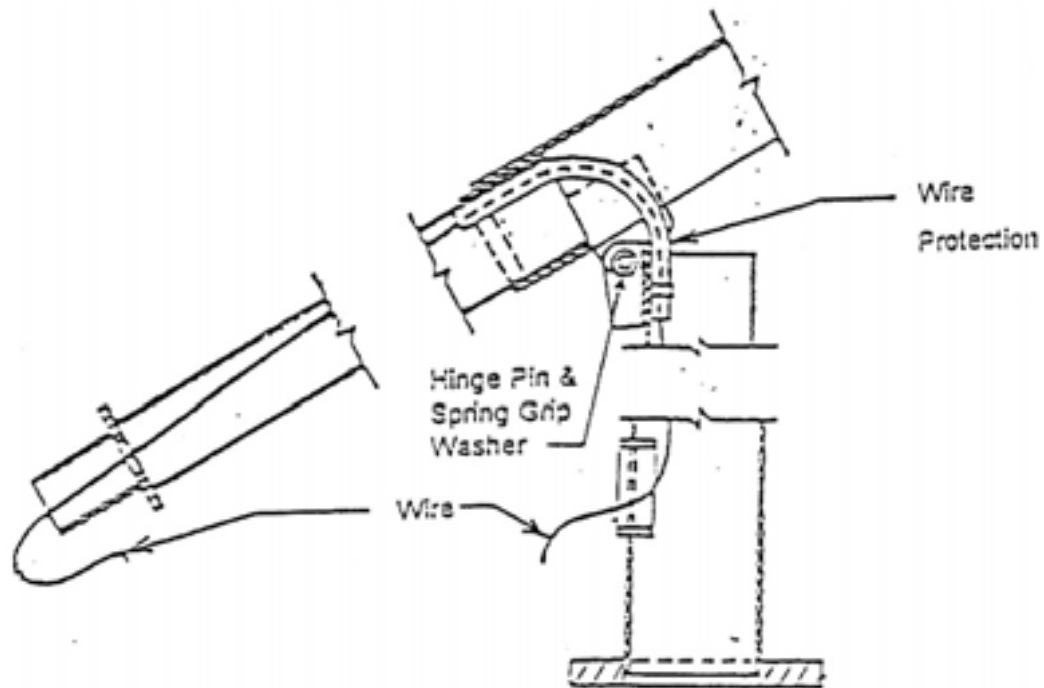


FIGURE 2

4. Rotate pole back to original position and lock down with hold-down nut at base of shroud. (REF: FIG. 1)
5. Attach rope to top of pole (FIG. 3).
6. Attach sling (FIG. 3).

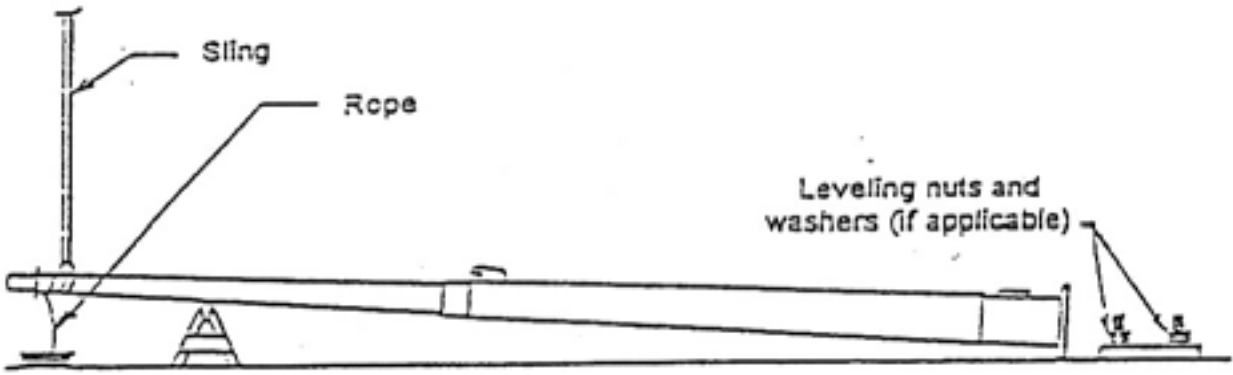


FIGURE 3



INSTALLATION
GUIDELINES
HINGED POLES

NUMBER I004 REV 1
DATE ISSUED 05-20-93
PAGE 3 OF 5
PREPARED BY RLL, DDH, RAH
APPROVED BY _____
STANDARD

7. Erect pole.
8. Position over anchor bolts and set on leveling nut washers if applicable. (FIG.4). (If leveling nuts are not used, place shims as required to plumb pole).

Rope

Sling

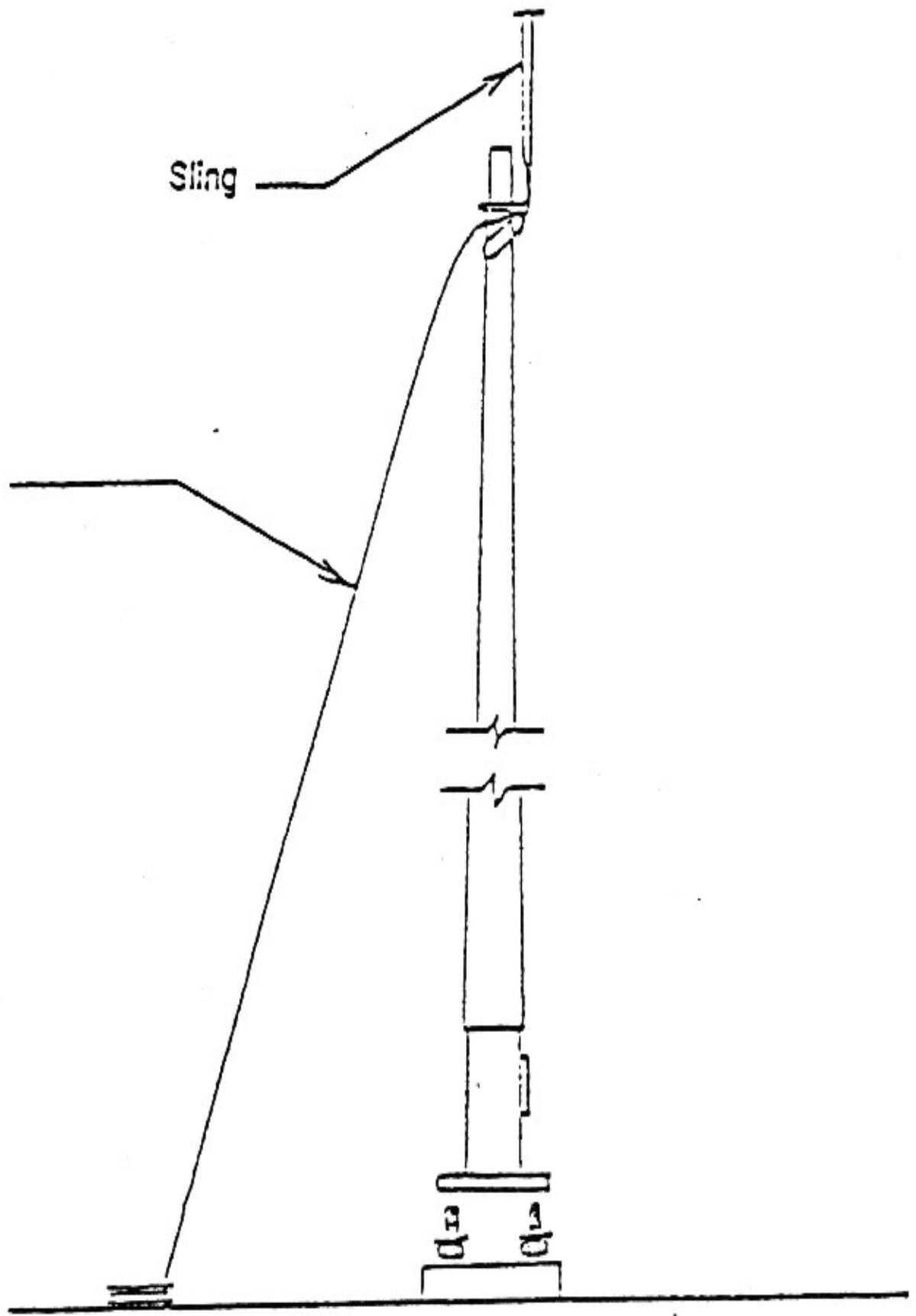


FIGURE 4

9. Place anchor nuts and washers on anchor bolts and tighten. (FIG.5).

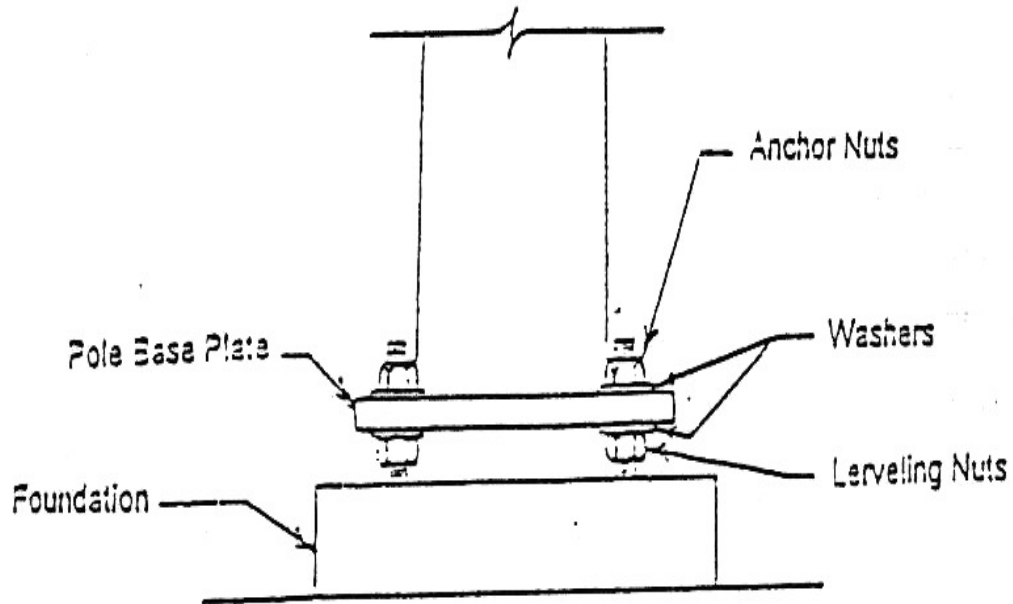


FIGURE 5

10. Attach winch to pole. (FIG6).
11. Attach cable end to shroud pin (FIG6).
12. Remove shroud hold-down nut (FIG. 6).

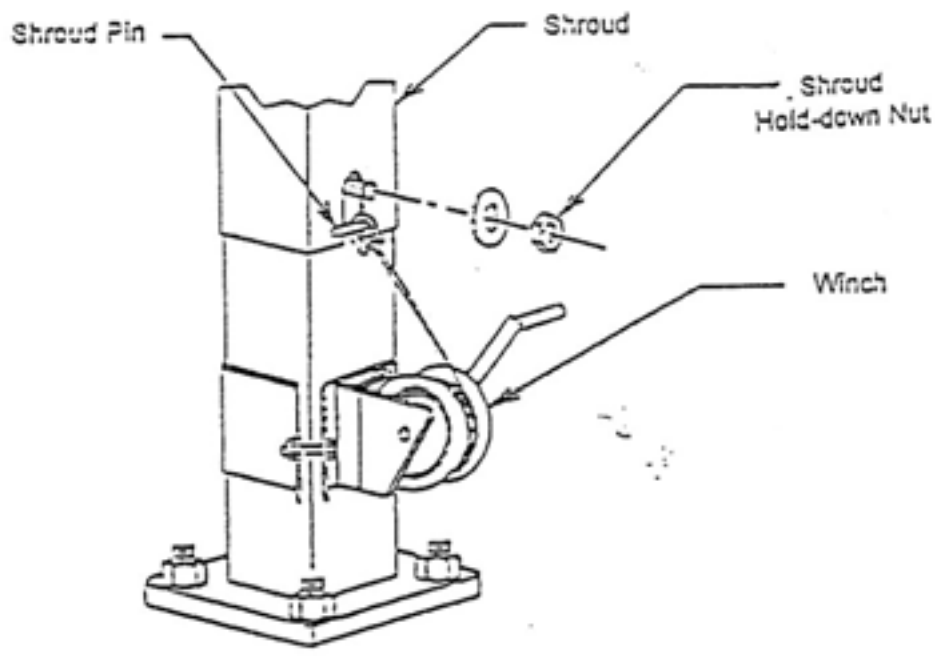


FIGURE 6

13. Pull on rope at top of pole while releasing cable from winch (FIG. 7). **CAUTION:** to prevent damage to the pole the cable must be kept taut when raising or lowering the pole.

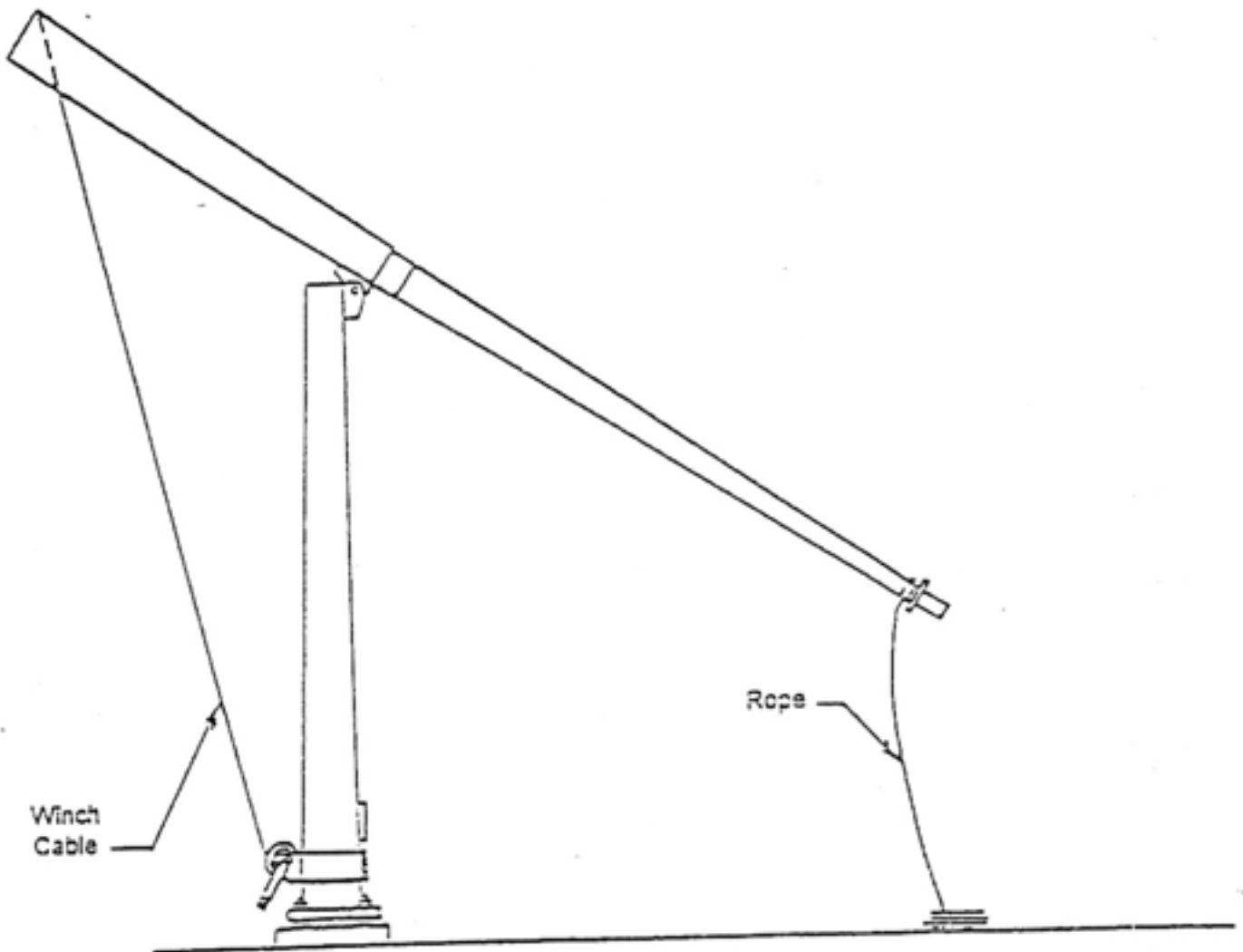


FIGURE 7

14. When pole top is at desired level, attach luminaire and complete wiring.
15. Remove rope.
16. Raise pole back to erect position with winch and secure with hold-down nut at base of shroud.