

**SPECIFICATIONS**

The decorative base is constructed of two identical cast clamshells A319 alloy aluminum or equivalent.

Connecting hardware are stainless steel socket head style bolts. Tamperproof hardware is available on special order. All hardware is accessible from outside the base for easy installation. Halves are factory fitted and shipped together.

Each half is identical with an integral door on each half designed to fit the aesthetic appearance of the base. Doors are supplied with stainless steel socket style screws.

Clamshell bases are designed to wrap around the pole with a circular hole with a tolerance of .25" maximum clearance between the base and the casting. For fluted poles, the flutes start approximately 1-2" above the top of the base for a clean appearance.

The finish for the base is a polyester powder coating applied in accordance with Valmont Industries' Specifications.

The top opening dimensions are calculated using the pole base dimension and a taper rate of .14" per foot. The opening is designed to accommodate outside diameter of mandrel formed round tubes and point to point diameter of multi-sided tubes.

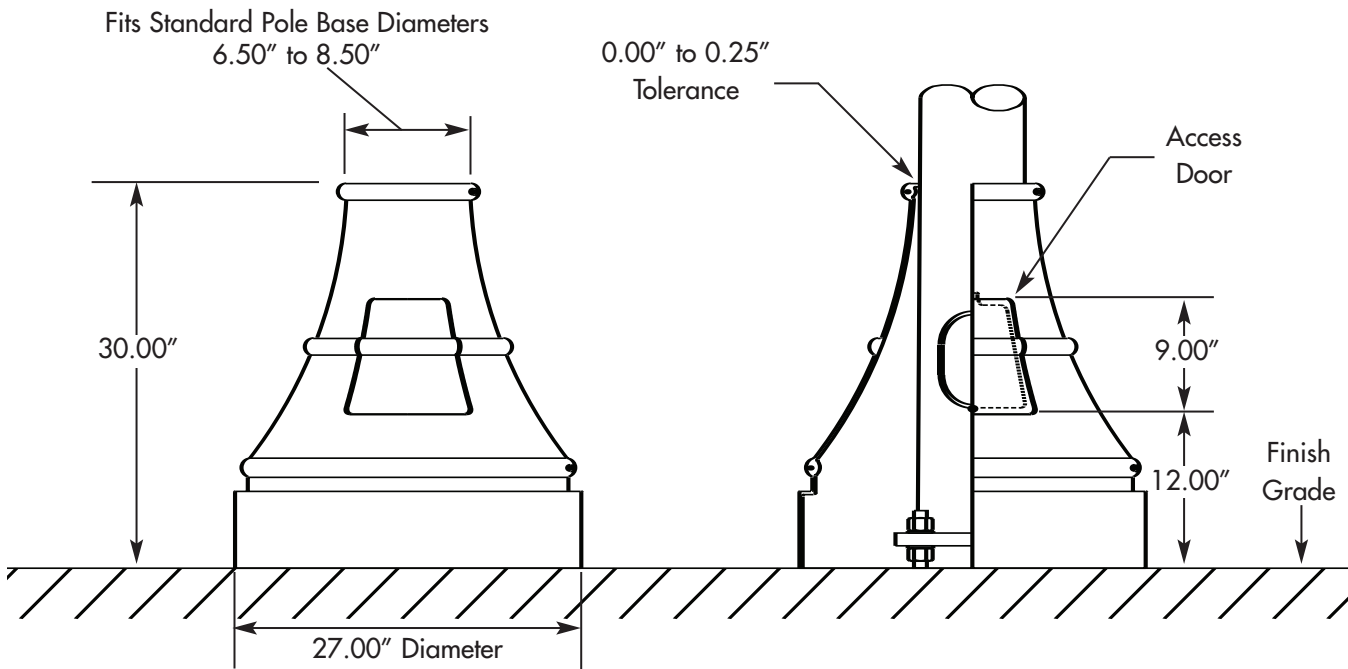
**ALUMINUM Clamshell Base**

**CATALOG LOGIC**

Decorative Base Cover <b>D B C</b>	Family <b>GT</b>	Series Diameter <b>27</b>	Material/Style <b>AC</b>	Fits Pole with Base Diameter _____	Standard Finishes _____
Decorative Base Cover <b>DBC</b> = Decorative Base Cover	Family <b>GT</b> = Georgetown	Series Diameter <b>27</b> = 27.00" Diameter	Material/Style <b>AC</b> = Aluminum Clamshell Base	Fits Pole with Base Diameter <b>065</b> = 6.50" <b>066</b> = 6.60" <b>070</b> = 7.00" <b>073</b> = 7.30" <b>075</b> = 7.50" <b>078</b> = 7.80" <b>080</b> = 8.00" <b>085</b> = 8.50"	Standard Finishes <b>WH</b> = White <b>BK</b> = Black <b>MB</b> = Medium Bronze <b>DB</b> = Dark Bronze <b>HG</b> = Hunter Green <b>DG</b> = Dark Green <b>SC</b> = Special Color (Specify)

# GEORGETOWN GT27AC ALUMINUM CLAMSHELL DECORATIVE BASE

## BASE MOUNTING DETAIL



NOTE: Pole handhole locations may vary based on rim clearance requirements, pole leveling method and shaft diameter fit tolerances. All dimensioning is based on poles installed using leveling nuts.