

SPECIFICATIONS

The decorative base is constructed of two identical cast clamshells A319 alloy aluminum or equivalent.

Connecting hardware are stainless steel socket head style bolts. Tamperproof hardware is available on special order. All hardware is accessible from outside the base for easy installation. Halves are factory fitted and shipped together.

An integral door is designed to fit the aesthetic appearance of the base and supplied with stainless steel socket style screws.

Clamshell bases are designed to wrap around the pole with a circular hole with a tolerance of .25" maximum clearance between the base and the casting. For fluted poles, the flutes start approximately 1-2" above the top of the base for a clean appearance.

The finish for the base is a polyester powder coating applied in accordance with Valmont Industries' Specifications.

The top opening dimensions are calculated using the pole base dimension and a taper rate of .14" per foot. The opening is designed to accommodate outside diameter of mandrel formed round tubes and point to point diameter of multi-sided tubes.

Fits Standard Pole Base Diameters
 5.00" to 7.82"



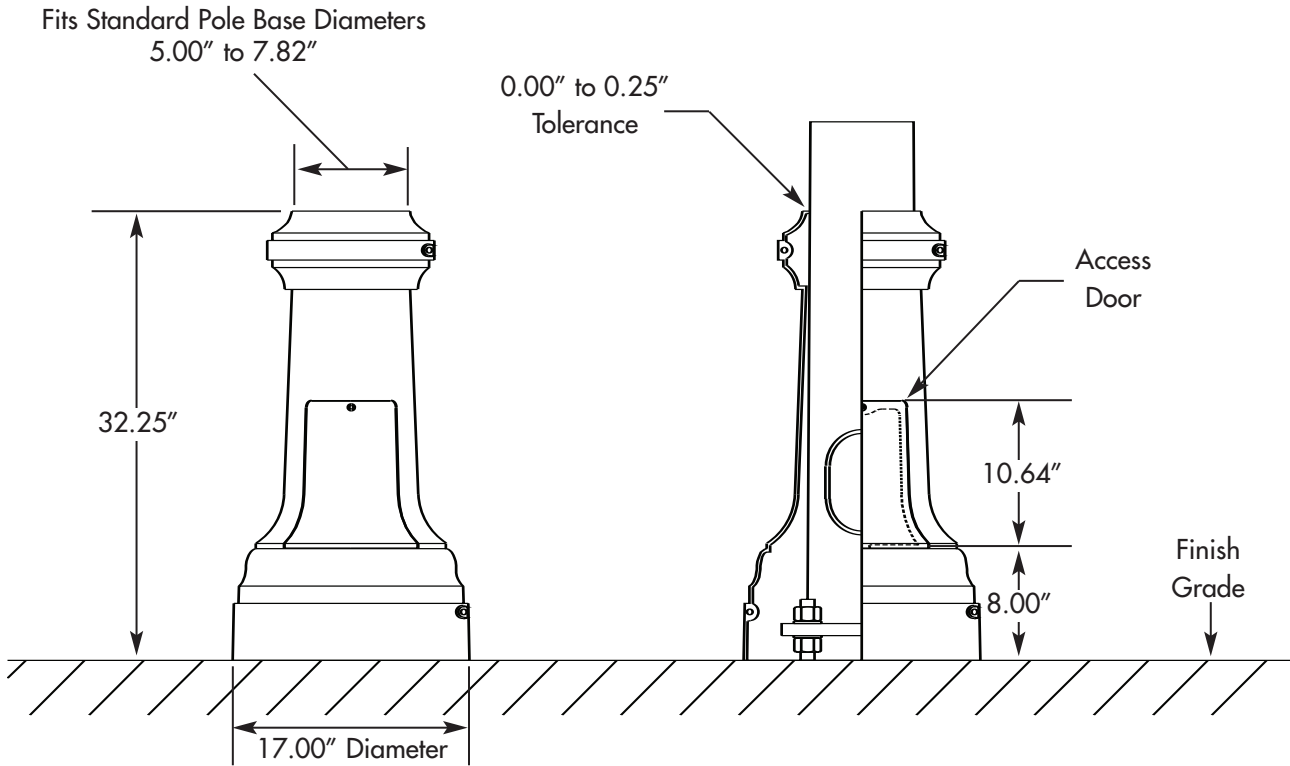
ALUMINUM Clamshell Base

CATALOG LOGIC

| | | | | | |
|---|-------------------------------|--|---|--|--|
| Decorative Base Cover D B C | Family OC | Series Diameter 17 | Material/Style AC | Fits Pole with Base Diameter _____ | Standard Finishes _____ |
| Decorative Base Cover DBC = Decorative Base Cover | Family OC = Osceola | Series Diameter 17 = 17.00" Diameter | Material/Style AC = Aluminum Clamshell Base | Fits Pole with Base Diameter 050 = 5.00" 055 = 5.50" 059 = 5.90" 060 = 6.00" 066 = 6.60" 070 = 7.00" 073 = 7.30" 075 = 7.50" 078 = 7.82" | Standard Finishes WH = White BK = Black MB = Medium Bronze DB = Dark Bronze HG = Hunter Green DG = Dark Green SC = Special Color (Specify) |

OSCEOLA OC17AC ALUMINUM CLAMSHELL DECORATIVE BASE

BASE MOUNTING DETAIL



NOTE: Pole handhole locations may vary based on rim clearance requirements, pole leveling method and shaft diameter fit tolerances. All dimensioning is based on poles installed using leveling nuts.