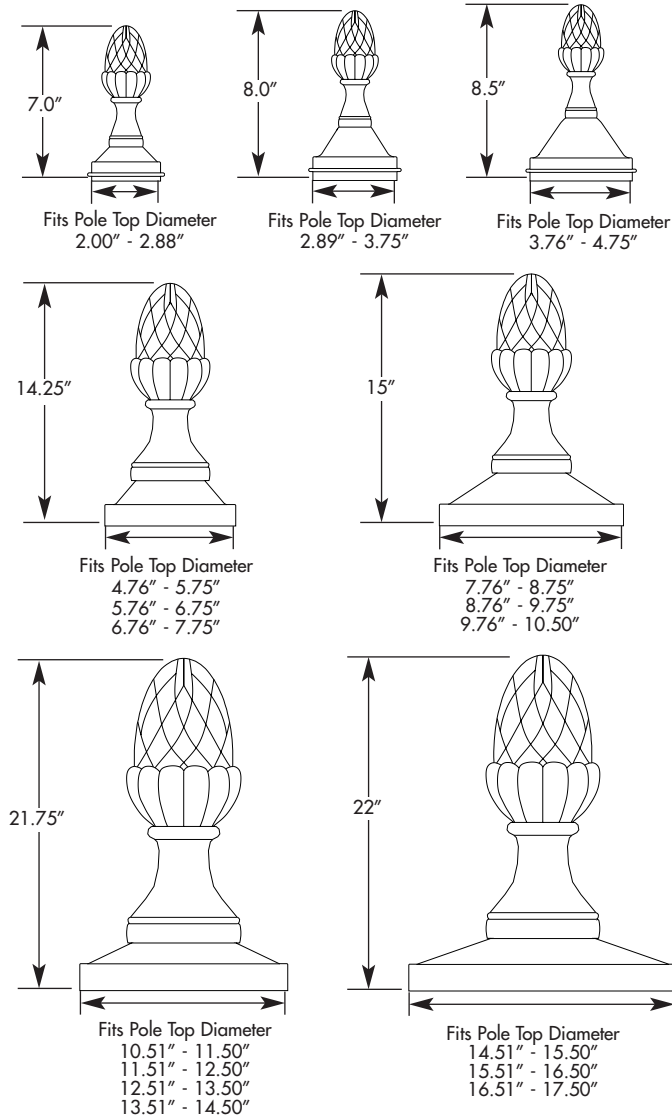


Fits Pole Top Diameters 2.00" to 17.50"



SPECIFICATIONS

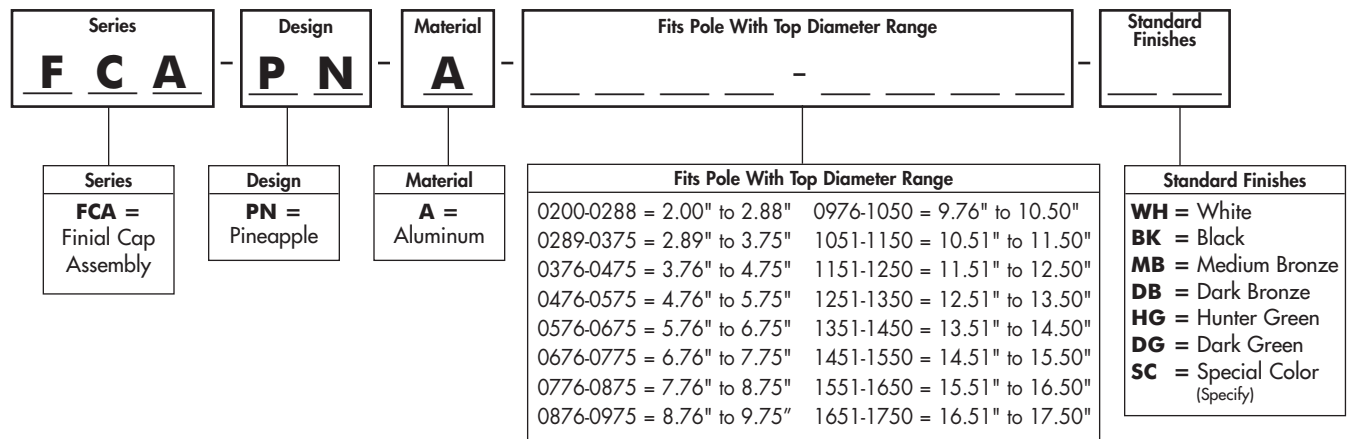
The decorative finial cap assembly is constructed of cast aluminum components. Parts are made whole or in components, then fastened together prior to application of finish. All connecting fasteners are stainless steel.

Mounting hardware consists of stainless steel set screws. Each finial cap assembly has a minimum of three set screws.

The finish is TGIC polyester powder coating applied in accordance with Valmont Industries' Specifications.

ALUMINUM FINIALS

CATALOG LOGIC



SPC7185 05/05