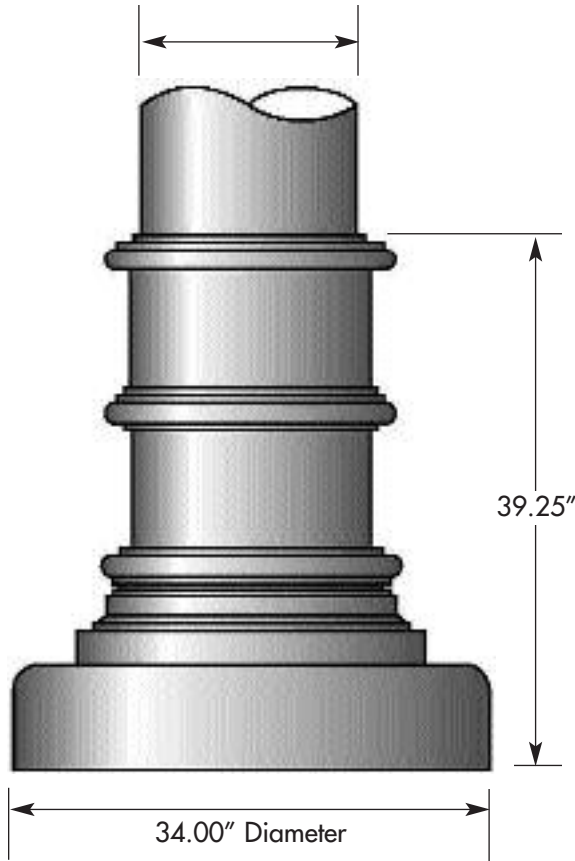




Fits Standard Pole Base Diameters
12.5", 13", 13.5", 14", 14.5"
15", 15.5" and 16"



SPECIFICATIONS

The decorative base is constructed of two identical cast. Parts are cast whole or in components welded together prior to application of finish.

Connecting hardware are stainless steel socket head style bolts. Tamperproof hardware is available on special order. All hardware is accessible from outside the base for easy installation. Halves are factory fitted and shipped together.

Each half is identical with an integral door designed to fit the aesthetic appearance of the base. Doors are supplied with stainless steel socket style screws.

Clamshell bases are designed to wrap around the pole with a circular hole with a tolerance of .25" maximum clear between the base and the casting. For fluted poles, the flutes start 1-2" above the top of the base for a clean appearance.

The finish for the base is polyester powder coating applied in accordance with Valmont Industries' Specifications.

The top opening dimensions are calculated using the pole base dimension and a taper rate of .14" per foot. The opening is designed to accommodate outside diameter of mandrel formed round tubes and point-to-point diameter of multi-sided tubes.

ALUMINUM Clamshell Base

CATALOG LOGIC

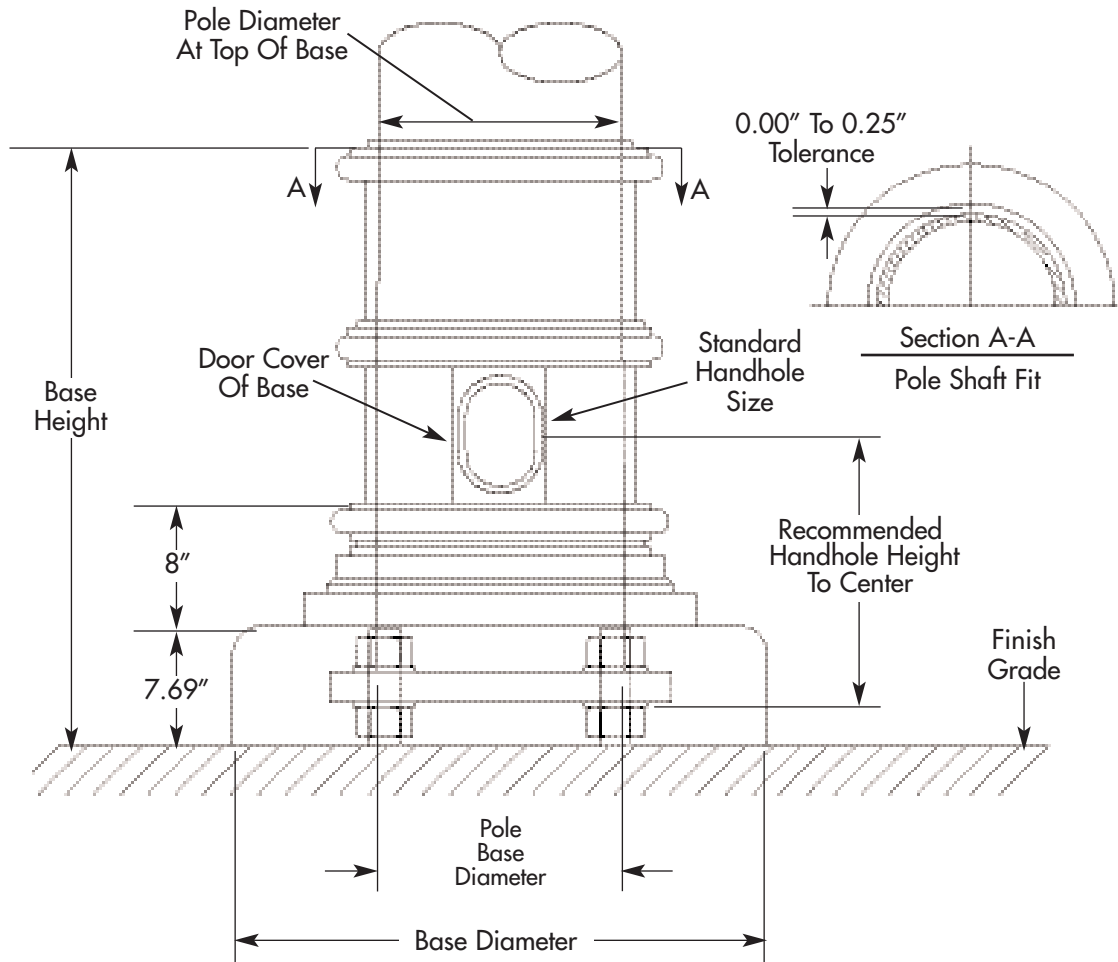
| | | | | | | |
|----------------------------------|--|--|--|--|---|---|
| Series C N | Base Diameter 3 4 | Material/Style A B | Fits Pole with Base Diameter _____ | Base Height 3 9 3 | Standard Finishes _____ | Hardware/Options _____ |
| Series CN = Contour | Base Diameter 34 = 34" Diameter | Material/Style AB = Aluminum Clamshell Base | Fits Pole with Base Diameter 125 = 12.50" 130 = 13.00" 135 = 13.50" 140 = 14.00" 145 = 14.50" 150 = 15.00" 155 = 15.50" 160 = 16.00" | Base Height 390 = 39.25" Overall Height | Standard Finishes BK = Black DB = Dark Bronze HG = Hunter Green BR = Burgundy SC = Special Color (Specify) | Hardware/Options Blank = Standard SS Hex Socket Fill-in Description For Special Requirements |

4-CN-4A



CONTOUR CN34-AB 34" ALUMINUM CLAMSHELL DECORATIVE BASE

BASE MOUNTING DETAIL



NOTE: Pole handhole locations may vary based on rim clearance requirements, pole leveling method and shaft diameter fit tolerances. All dimensioning is based on poles installed using leveling nuts.

DIMENSIONAL DATA TABLE

| DESCRIPTION | CATALOG NUMBER | BASE DIMENSIONS | | | POLE DIMENSIONS for BASE | | | HANDHOLE | |
|-------------|------------------------|---------------------------|--------------------|------------------|--------------------------|------------------------------|-------------------------------|-----------------------------|--------------------------------|
| | | TOP OPENING DIAMETER (IN) | BASE DIAMETER (IN) | BASE HEIGHT (IN) | POLE BASE DIAMETER (IN) | POLE DIA. @ TOP OF BASE (IN) | MAX. BASE PLATE DIAGONAL (IN) | STANDARD HANDHOLE SIZE (IN) | HANDHOLE HEIGHT TO CENTER (IN) |
| CONTOUR 34" | CN34AB-125-393-(F)-(O) | 12.25 | 34.00 | 39.25 | 12.50 | 12.04 | 31.00 | 4 x 6.5 | 18.00 |
| CONTOUR 34" | CN34AB-130-393-(F)-(O) | 12.75 | 34.00 | 39.25 | 13.00 | 12.54 | 31.00 | 4 x 6.5 | 18.00 |
| CONTOUR 34" | CN34AB-135-393-(F)-(O) | 13.25 | 34.00 | 39.25 | 13.50 | 13.04 | 31.00 | 4 x 6.5 | 18.00 |
| CONTOUR 34" | CN34AB-140-393-(F)-(O) | 13.75 | 34.00 | 39.25 | 14.00 | 13.54 | 31.00 | 4 x 6.5 | 18.00 |
| CONTOUR 34" | CN34AB-145-393-(F)-(O) | 14.25 | 34.00 | 39.25 | 14.50 | 14.04 | 31.00 | 4 x 6.5 | 18.00 |
| CONTOUR 34" | CN34AB-150-393-(F)-(O) | 14.75 | 34.00 | 39.25 | 15.00 | 14.54 | 31.00 | 4 x 6.5 | 18.00 |
| CONTOUR 34" | CN34AB-155-393-(F)-(O) | 15.25 | 34.00 | 39.25 | 15.50 | 15.04 | 31.00 | 4 x 6.5 | 18.00 |
| CONTOUR 34" | CN34AB-160-393-(F)-(O) | 15.75 | 34.00 | 39.25 | 16.00 | 15.54 | 31.00 | 4 x 6.5 | 18.00 |

Note: Replace (F) with Finish Selection and (O) with Hardware/Option Selection.

4-CN-4B