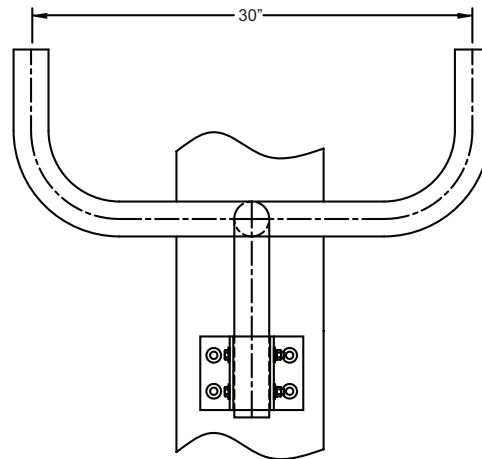
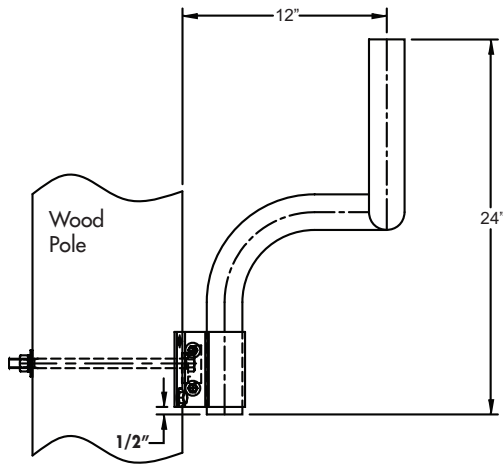


ALUMINUM BRACKETS FOR WOOD POLE MOUNTING
"FLD" SERIES - DOUBLE FLOODLIGHT BRACKET



BRACKET DATA

CATALOG NUMBER	PIPE SIZE (IN)	WALL THK. (IN)	NOMINAL LENGTH	BRACKET CLASS PER ANSI C136.13-1992 ¹
AFLD-200-021	2.00	0.140	n/a	H

¹The EPA rating for the arm utilizes the classification as described in ANSI C136.13-1992, American National Standard for Roadway Lighting - Metal Brackets for Wood Poles. Please contact Valmont Industries if a greater EPA is required.

SPECIFICATIONS

Pipe Arm

The luminaire arm is manufactured from 2-3/8" O.D. (2" pipe size) x 0.14" wall (6063-T6 alloy). The tube is heat treated after welding to produce a T6 temper.

Extrusions

All extrusions including the brackets and hook are manufactured from extruded 6061-T6 alloy.

If the pipe arm is installed for use with a wood pole, it is recommended that the through bolt attachment be used in conjunction with the bottom two lag bolts installed in the bottom holes of the bracket.

Check with the original pole manufacturer for maximum load rating for the pole prior to installing the arm.

All brackets include provision for grounding.

CATALOG LOGIC

Material	Series	Pipe Size	Arm Length
<input type="text"/>	<input type="text"/>	<input type="text"/>	<input type="text"/>

Material	Series	Pipe Size	Arm Length
A - Aluminum	FLD - Double Floodlight	200 - 2.00"	021 - 2'1"

Customer Approval:

signature

date

Job Name: _____ Quote: _____

Client Name: _____

Created By: _____ Date: _____