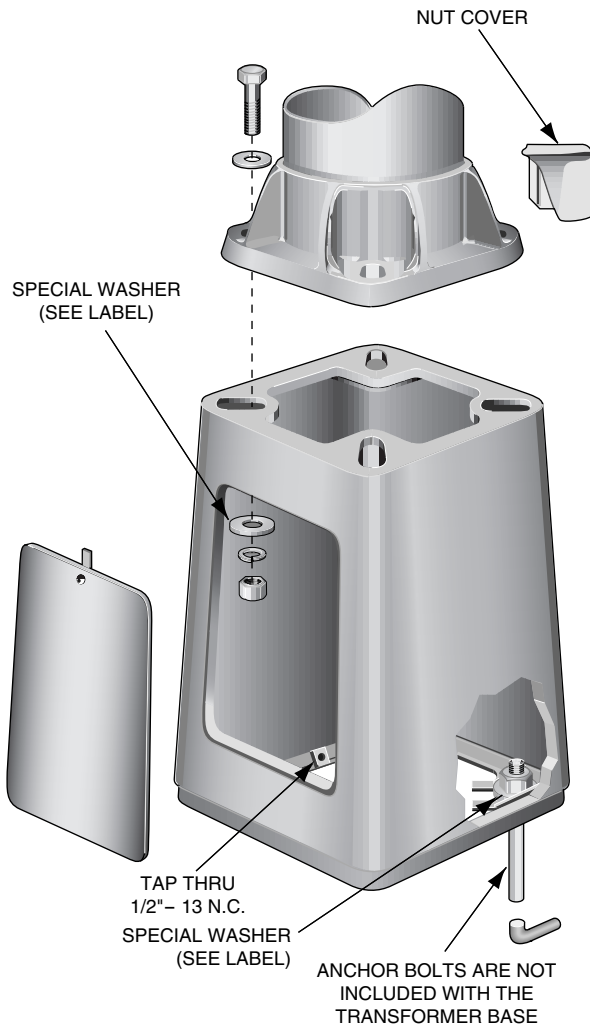


17" TRANSFORMER BASE 13" - 15" LOWER BOLT CIRCLE



The transformer base is cast from 356 alloy aluminum and heat treated to a T6 condition and is accepted by the Federal Highway Administration Department of Interior, as meeting the requirements of AASHTO "Standard Specifications for Structural Supports for Highway Signs, Luminaires and Traffic Signals" for use on federal aid projects. The acceptance is relative to the breakaway characteristics in a range of 20 to 60 MPH impact.

MODEL: 07R1315B17
For use with 7" poles.

MODEL: 10R1315B17
For use with 10" poles
up to 0.188" wall.

MODEL: 08R1315B17
For use with 8" poles.

Contact Valmont Industries
if heavier poles are required.

CAUTION

TB1-17"
1985 AASHTO

Before installation, user should consult with authorized distributor regarding user's proposed application, load requirements and installation methods. Failures can result from user's misapplication or improper installation.

To approach optimum static loads, use the largest possible bolt circles and use steel washer sizes specified, below:

- **BOTTOM Bolt Circles (13" - 15" Diameter):**
Use a 2-3/4" Dia. x 1/2" TK. washer.
- **For All Mounting Under 13" Diameter:**
See special mounting instructions below.
- **Torque Ground Mounting Nuts to 150 Ft Lbs:**
Shim base Level when required before torquing.
- **TOP Bolt Circles (10-1/2" - 13-1/2" Diameter):**
Use a 2-1/2" Dia. x 3/8" TK. washer or
use a 2-3/4" Dia. x 1/2" TK. washer.

BREAKAWAY BASE

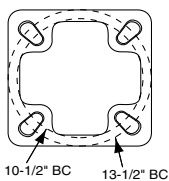
Approved by F.H.W.A. to 1985
AASHTO Requirements

Each transformer base shall be supplied with:

- (4) 1" x 4" Connectors
- Lock Washers
- Flat Washers
- Nuts

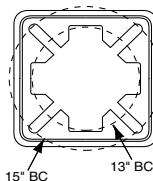
Call the factory for information about hinged doors and plastic doors.

TOP DETAIL



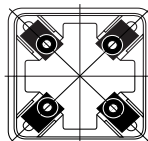
**Top Detail For
10-1/2" -
13-1/2"
Dia. Bolt Circles**
(See "CAUTION"
label above)

BOTTOM DETAIL



**Bottom Detail
For 13" - 15"
Dia. Bolt Circles**
(See "CAUTION"
label above)

BOTTOM DETAIL (SP) MODIFICATION

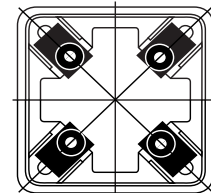


**Bottom Detail
For 10-1/2" -
12-15/16"
Dia. Bolt Circles**
(See special
"MOUNTING"
instructions)

SPECIAL MOUNTING INSTRUCTIONS

POSITION
(4) 5/8" x 2-3/4" x 4-1/4"
rectangular washers along with
(4) 2-1/2" Dia. x 3/8"
thick washers on top,

**for all BOTTOM MOUNTING
Anchor Bolt Center Lines of
10-1/2" Dia. to
12-15/16" Dia. B.C.**



CAUTION

Both washers
must be used
as a set to
approach
optimum
static load.

SPC7093 08/07 www.valmontstructures.com carries the most current spec information and supersedes these guidelines.