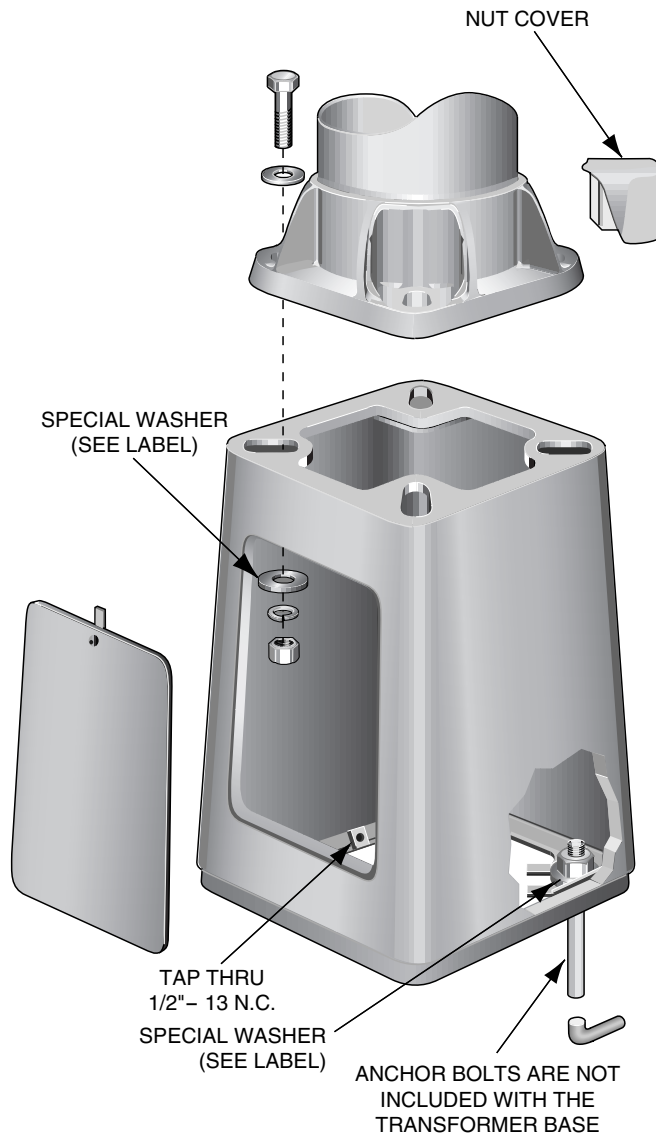


17" TRANSFORMER BASE 10"-12" LOWER BOLT CIRCLE



The transformer base is cast from 356 alloy aluminum and heat treated to a T6 condition and is accepted by the Federal Highway Administration Department of Interior, as meeting the requirements of AASHTO "Standard Specifications for Structural Supports for Highway Signs, Luminaire's and Traffic Signals" for use on federal aid projects. The acceptance is relative to the breakaway characteristics in a range of 20 to 60 MPH impact.

MODEL: 07R1012B17
For use with 7" poles.

MODEL: 08R1012B17
For use with 8" poles.

CAUTION

TB2-17
1985 AASHTO

Before installation, user should consult with authorized distributor regarding user's proposed application, load requirements and installation methods. Failures can result from user's misapplication or improper installation.

To approach optimum static loads, use the largest possible bolt circles and use steel washer sizes specified, below:

- **BOTTOM Bolt Circles (10" - 12" Diameter):**
Use 2-3/4" Dia. x 1/2" TK. washer.
- **Torque Ground Mounting Nuts to 150 Ft Lbs:**
Shim base level when required before torquing.
- **TOP Bolt Circles (10" - 12" Diameter):**
Use a 2-1/2" Dia. x 3/8" TK. washer or use a 2-3/4" Dia. x 1/2" TK. washer.

BREAKAWAY BASE

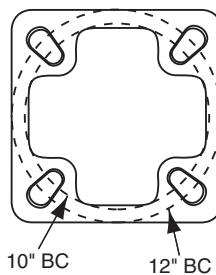
Approved by F.H.W.A. to 1985
AASHTO Requirements

Each transformer base shall be supplied with:

- **(4) 1" x 4" Connectors**
- **Flat Washers**
- **Lock Washers**
- **Nuts**

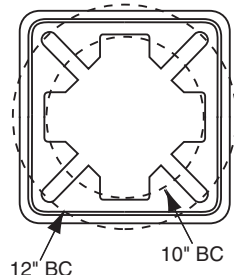
Call the factory for information about hinged doors and plastic doors.

TOP DETAIL



**Top Detail For
10" - 12" Dia. Bolt Circles**
(See "CAUTION" label above)

BOTTOM DETAIL



**Bottom Detail For
10" - 12" Dia. Bolt Circles**
(See "CAUTION" label above)