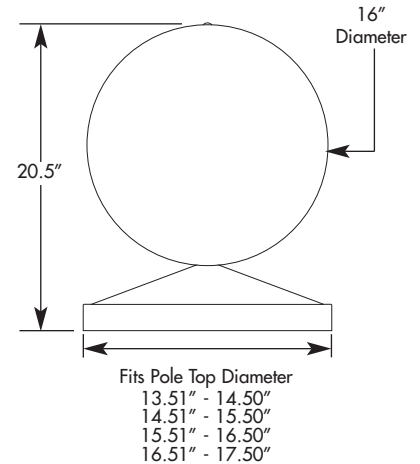
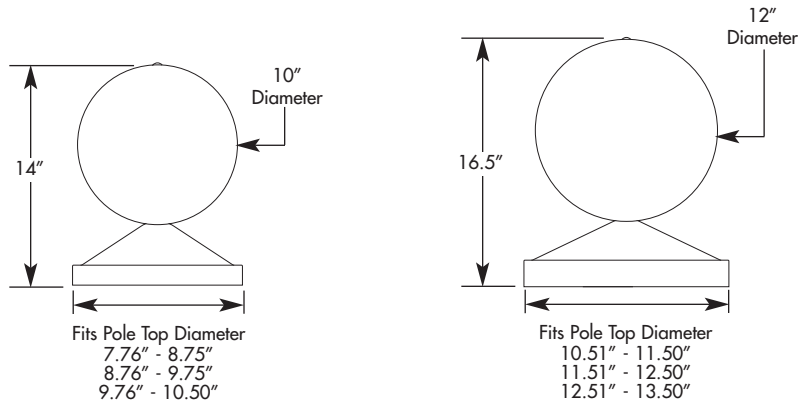
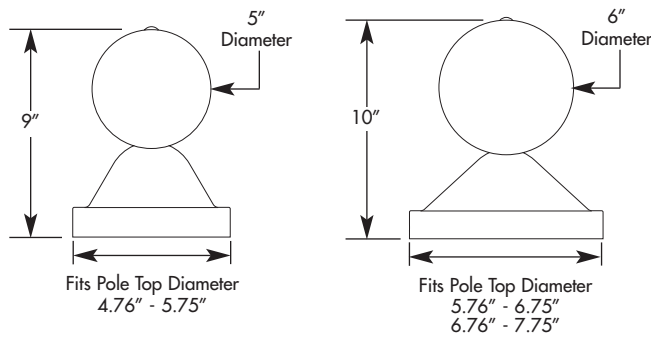
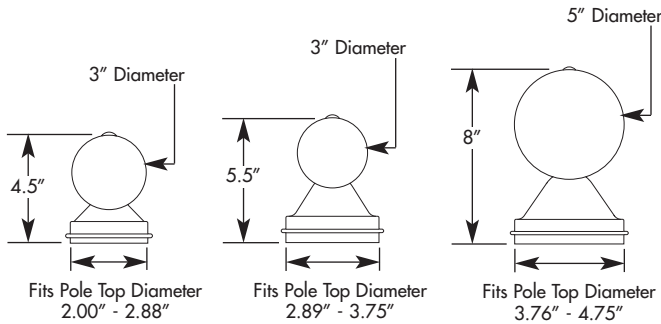


Fits Pole Top Diameters 2.00" to 17.50"



SPECIFICATIONS

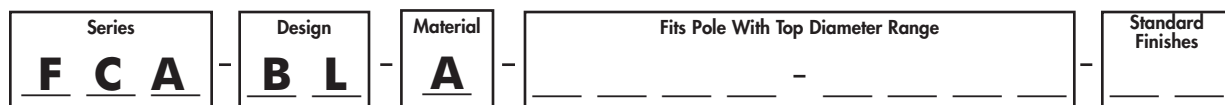
The decorative finial cap is constructed of cast and spun aluminum components. Parts are made whole or in components, then fastened together prior to application of finish. All connecting fasteners are stainless steel.

Mounting hardware consists of stainless steel set screws. Each finial cap assembly has a minimum of three set screws.

The finish is TGIC polyester powder coating applied in accordance with Valmont Industries' Specifications.

ALUMINUM FINIALS

CATALOG LOGIC



Series
FCA = Finial Cap Assembly

Design
BL = Ball Top

Material
A = Aluminum

Fits Pole With Top Diameter Range	
0200-0288 = 2.00" to 2.88"	0976-1050 = 9.76" to 10.50"
0289-0375 = 2.89" to 3.75"	1051-1150 = 10.51" to 11.50"
0376-0475 = 3.76" to 4.75"	1151-1250 = 11.51" to 12.50"
0476-0575 = 4.76" to 5.75"	1251-1350 = 12.51" to 13.50"
0576-0675 = 5.76" to 6.75"	1351-1450 = 13.51" to 14.50"
0676-0775 = 6.76" to 7.75"	1451-1550 = 14.51" to 15.50"
0776-0875 = 7.76" to 8.75"	1551-1650 = 15.51" to 16.50"
0876-0975 = 8.76" to 9.75"	1651-1750 = 16.51" to 17.50"

Standard Finishes

- WH = White
- BK = Black
- MB = Medium Bronze
- DB = Dark Bronze
- HG = Hunter Green
- DG = Dark Green
- SC = Special Color (Specify)

5-FCA-1