

8' TO 18' ROUND TAPERED HERITAGE SERIES DECORATIVE POLES



- 8' to 18' pole heights.
- For single or multiple luminaire mounting.

SPECIFICATIONS

All Aluminum Alloys shall comply with metallurgical and mechanical properties set forth in the Aluminum Association Standards.

Shaft: The shaft shall be extruded from all new seamless 6063 alloy aluminum tubing and shall have a digitally controlled shaped HERITAGE taper in one of four pole profiles. The tapered shaft shall include a 6" long, 2-7/8" diameter tenon at the top to accommodate the light fixture or the center hub of a HERITAGE light bracket. A 2-3/8" diameter tenon is available as an accessory.

Anchor Base: Each HERITAGE series pole shall include an A356 alloy cast aluminum 4-Bolt anchor base. The shaft shall be inserted and joined by a continuous circumferential weld at the inside bottom of the anchor base. A grounding lug shall be welded 1-1/2" up from the Base to the shaft I.D. 180° from the handhole. The shaft base assembly shall be heat treated after welding to produce a T6 temper.

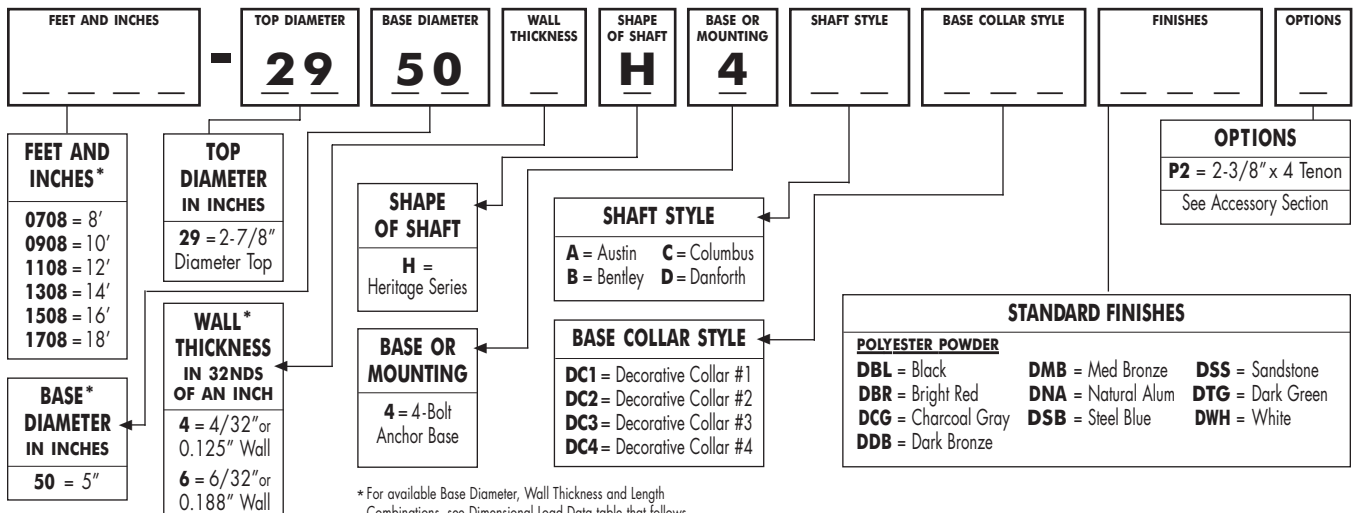
Handholes: A peripherally reinforced flush covered handhole centered 10-1/2" above the base shall be included. The clear elliptical opening shall measure 2-1/2" x 4".

Base Collar: The specifier may select one of 4 collar designs. Each consists of a grommetted spun, 0.125" wall aluminum ornamental collar which shall conceal the handhole and anchor base. The collar shall be fixed in place using 3 stainless steel set screws mounted in a collar retainer ring.

Anchor Bolts: Each HERITAGE series poles shall include: (4) steel hot dip galvanized anchor bolts each with (2) nuts and (2) flat washers sized to match anchor bolts.

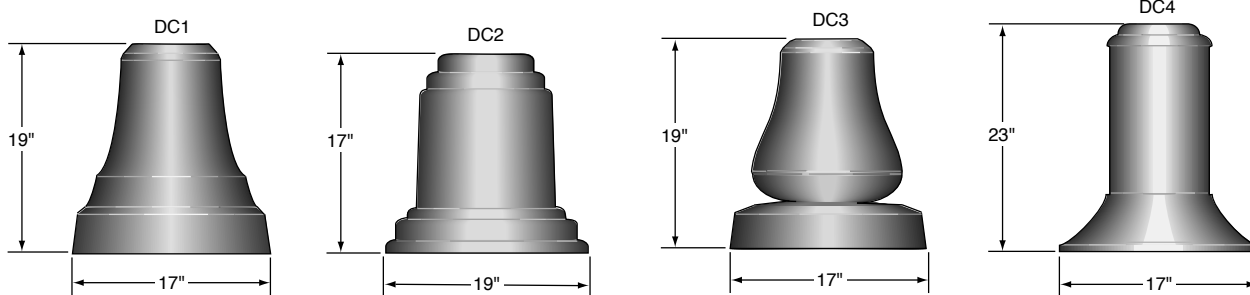
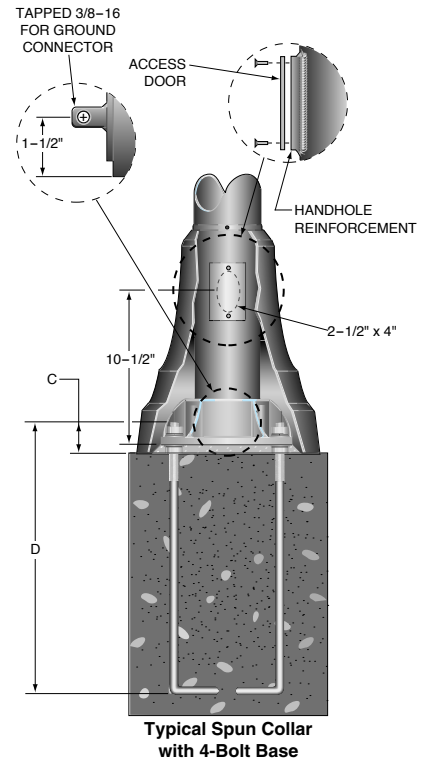
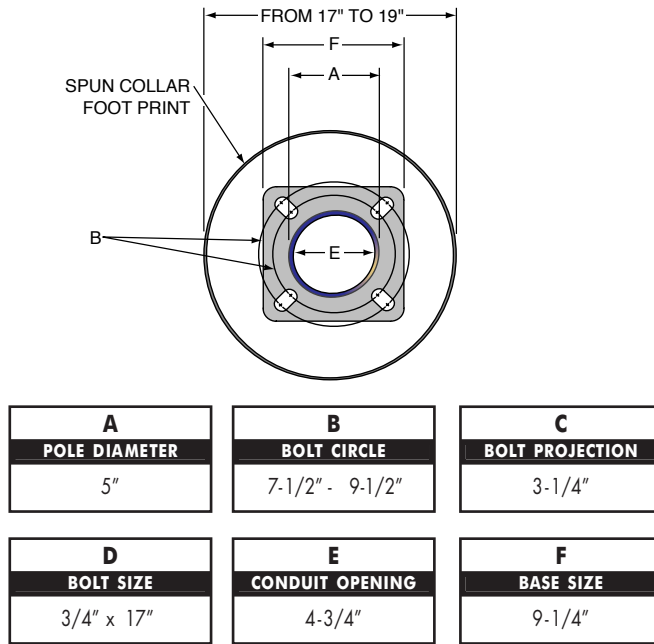
Special Finishes: All HERITAGE series poles shall receive an electrostatically applied baked polyester powder coat finish.

CATALOG LOGIC



8' TO 18' ROUND TAPERED HERITAGE SERIES DECORATIVE POLES

ANCHOR BASE AND BOLT DETAIL



DIMENSIONAL AND LOAD DATA

TYPICAL WEIGHT AND ALLOWABLE SIZE OF LUMINAIRES*							DIMENSIONS OF POLES				
NOMINAL MOUNTING HEIGHT	TYPICAL LUMINAIRE WEIGHT (LBS.)	EFFECTIVE PROJECTED AREA IN SQUARE FEET AT:					POLE HEIGHT	TOP	BASE	WALL	MODEL NUMBER **
		70 MPH	80 MPH	90 MPH	100 MPH	110 MPH					
8'	150	17.6	13.4	10.6	8.4	6.9	7'8"	2-7/8"	5"	.125"	0708 - 29504H4
8'	150	25.3	19.3	15.2	12.2	10.0	7'8"	2-7/8"	5"	.188"	0708 - 29506H4
10'	150	14.5	10.9	8.6	6.8	5.5	9'8"	2-7/8"	5"	.125"	0908 - 29504H4
10'	150	20.8	15.9	12.5	10.0	8.2	9'8"	2-7/8"	5"	.188"	0908 - 29506H4
12'	150	12.1	9.2	7.1	5.6	4.5	11'8"	2-7/8"	5"	.125"	1108 - 29504H4
12'	150	17.5	13.3	10.4	8.4	6.7	11'8"	2-7/8"	5"	.188"	1108 - 29506H4
14'	150	10.0	7.3	5.4	4.1	3.2	13'8"	2-7/8"	5"	.125"	1308 - 29504H4
14'	150	15.1	11.3	8.7	6.7	5.3	13'8"	2-7/8"	5"	.188"	1308 - 29506H4
16'	150	7.8	5.5	4.0	2.9	2.1	15'8"	2-7/8"	5"	.125"	1508 - 29504H4
16'	150	12.2	9.1	6.7	5.2	4.0	15'8"	2-7/8"	5"	.188"	1508 - 29506H4
18'	150	6.0	4.1	2.8	1.9	1.2	17'8"	2-7/8"	5"	.125"	1708 - 29504H4
18'	150	9.6	7.1	5.2	3.8	2.8	17'8"	2-7/8"	5"	.188"	1708 - 29506H4

* EPA calculations are based on a 1.3 Gust Factor. Variations from standard sizes listed above, available upon inquiry at the factory. Satisfactory performance of lighting poles is dependent upon the pole being properly attached to a supporting foundation of adequate design. Valmont does not design or offer recommendations for foundations.

** Model number does not include mounting options or finish designation.

3-HT-1B

SIC7080 05/03 - This spec supercedes all previous publications.