

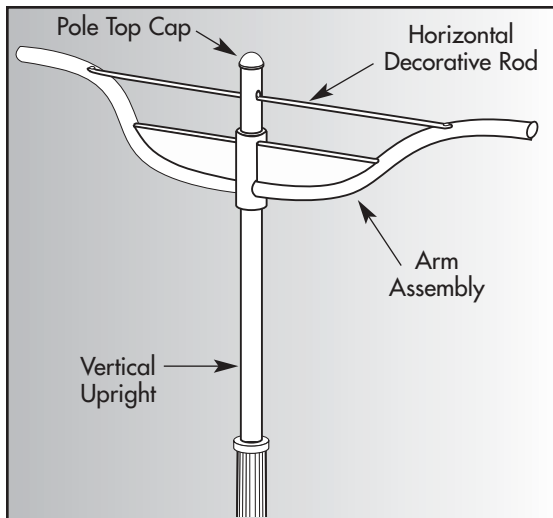
**PASEO PTS-PA1**

**SPECIFICATIONS**

**Vertical Upright:** Vertical uprights are manufactured from 3" O.D. x .188" steel tubing, 32,000 psi strength. A 1-1/4" diameter deburred hole is provided at a location aligning with arm termination for luminaire wiring. Steel rivnuts are factory installed in the vertical upright where required for arm mounting screws.

**Luminaire Arm Assemblies:** Luminaire arms are manufactured from 2" Schedule 40 pipe (2-3/8" O.D.) with a minimum yield strength of 36,000 psi. The arm is bent and welded to a one-piece half-round steel casting. A matching casting is provided for aesthetic purposes on single arms. The arm is mounted to the vertical upright with 3 stainless steel flat head socket cap screws. Two screws are located at the top of the casting and one at the bottom of the casting using beveled holes. The decorative diagonal aluminum rod is constructed of 0.88" O.D. x 0.05" wall tubing and field installed with stainless steel fasteners.

**Luminaire Mounting:** Luminaire arms may be specified with the "D2" - Hub Down or "E2" - End Slip Fit options. The "D2" option is supplied with a 1-1/2" female threaded coupling welded 1" from the end of the arm pointing down. A 1-1/2" male threaded coupling is provided to adapt to female hub luminaires. A stainless steel hex drive cup point set screw is provided in the female coupling as an anti-rotation locking device. Open ends of the arms are provided with black polypropylene flat push-in caps. Arms may also be specified with "T2" - 2-3/8" O.D. or "T3" - 3" O.D. tenon for top mounted luminaires. These tenons are located 1" from the end of the arm.



**Pole Top Assembly Mounting to Pole:** Pole top assemblies are to be mounted to City Quartz poles with the "PQ" 2-3/8" O.D. x 12" tenon. This must be ordered with the pole to accommodate a pole top assembly. The vertical upright of the pole top assembly is provided with two sets of four stainless steel hex drive cup point set screws that secure the pole top assembly to the pole. These screws also allow for leveling of the vertical upright.

**Pole Top Caps:** Pole top cap options "B" - Ball and "D" - Half Dome are manufactured of spun aluminum components formed together to make a single assembly. The "S" - Spike Cap is a one-piece cast aluminum part. These three options are mounted to the pole top assembly with three stainless steel fasteners. The "F" - Flat Top Cap is a one-piece push-in style polypropylene part that is available in black finish only.

**Finishes:** The finish for the pole top assemblies is polyester powder applied coating in accordance with Valmont Industries' Specifications. Pole top assemblies may have different finishes on vertical upright (which includes the horizontal rod), arm assembly and pole top cap.

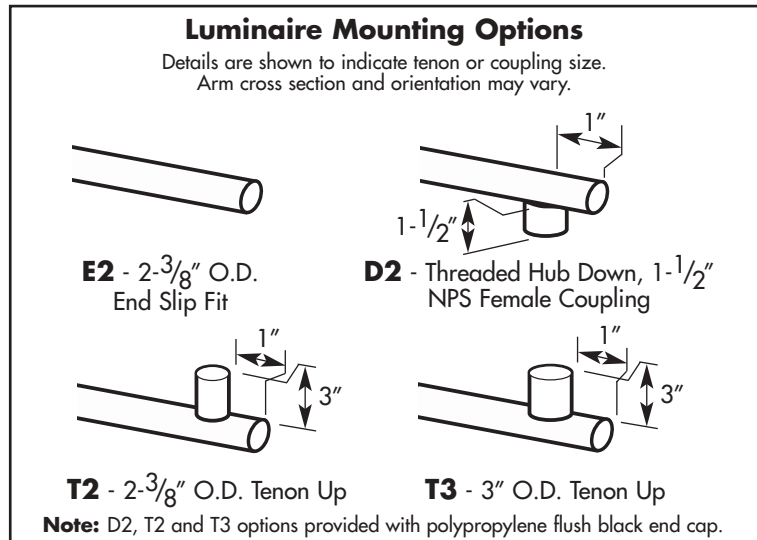
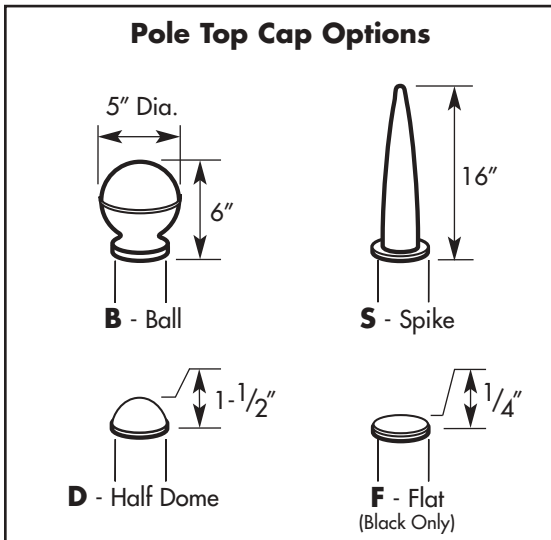
**CATALOG LOGIC**

<b>POLE TOP ASSEMBLY</b> <b>P T</b>	<b>MATERIAL</b> <b>S</b>	<b>SERIES</b> <b>P A 1</b>	<b>NUMBER OF ARMS</b> 	<b>LUMINAIRE MOUNTING</b> 	<b>VERTICAL UPRIGHT FINISH</b> <b>V</b>	<b>ARM ASSEMBLY FINISH</b> <b>A</b>	<b>POLE TOP CAP</b> 	<b>POLE TOP CAP FINISH</b> 
<b>POLE TOP ASSEMBLY</b> PT= Pole Top Assembly	<b>MATERIAL</b> S = Steel	<b>SERIES</b> PA1=Paseo #1	<b>NUMBER OF ARMS</b> 1= Single 2= Double @ 180	<b>LUMINAIRE MOUNTING</b> E2 = End Slip Fit 2-3/8" O.D." T2 = Tenon Up 2-3/8" O.D. x 3" T3 = Tenon Up 3" O.D. x 3" D2 = Threaded Hub Down 1-1/2" NPS Female with Male Adapter ST = Special Mounting (Please Specify)	<b>VERTICAL UPRIGHT, ARM ASSEMBLY, POLE TOP CAP FINISH</b> ① WH = White      SL = Silver      HG = Hunter Green BK = Black      BR = Burgandy      AB = Azure Blue MB = Medium Bronze      RD = Red      BV = Dark Blue Violet SG = Slate Grey      CG = Copper Green      SC = Special Color (Please Specify) ST = Sandstone      BG = Blue Green	<b>POLE TOP CAP</b> B = Ball      S = Spike D = Half Dome      F = Flat (BK Only)		
① Horizontal decorative rod is finished in the color selected for the vertical upright.								



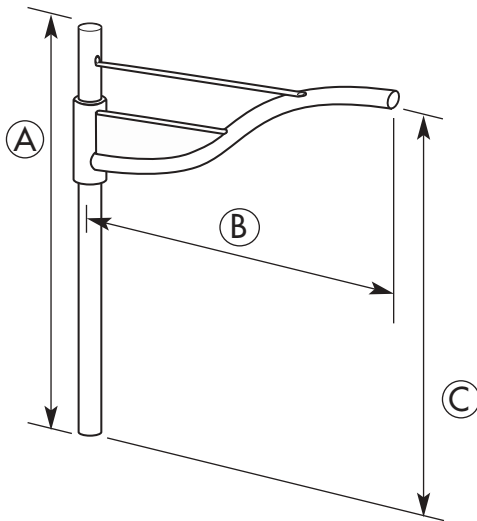
# STEEL POLE TOP ASSEMBLIES PASEO SERIES "PTS-PA1"

## POLE TOP CAP AND LUMINAIRE MOUNTING OPTIONS

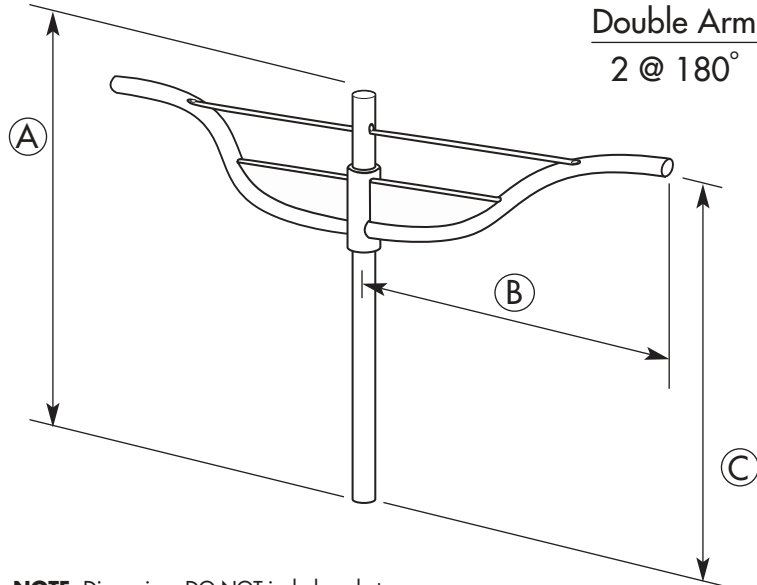


## STANDARD DIMENSIONAL AND LOAD DATA

### Single Arm



### Double Arm 2 @ 180°



**NOTE:** Dimensions DO NOT include pole top caps.

POLE TOP SERIES	DIMENSIONS			LOAD DATA	
	(A) OVERALL HEIGHT	(B) HORIZ. DISTANCE TO LUMINAIRE	(C) HEIGHT TO LUMINAIRE ABOVE POLE TOP	POLE TOP ASSEMBLY EPA (SQ FT)	POLE TOP ASSEMBLY WEIGHT (LBS)
Single Arm PTS-PA1-1-(M)-(VF)-(AF)-(TC)-(TF)	4' - 6"	3' - 3"	4' - 3"	3.6	69
Double Arm (2 @ 180 Degrees) PTS-PA1-2-(M)-(VF)-(AF)-(TC)-(TF)	4' - 6"	3' - 3"	4' - 3"	5.6	93

### "PTS" Steel Pole Top Assemblies Ordering Notes:

- 1) Replace (M) with Luminaire Mounting Selection, (VF) with Vertical Upright Finish Selection, (AF) with Arm Assembly Finish Selection, (TC) with Pole Top Cap Selection and (TF) with Pole Top Cap Finish Selection. See Catalog Logic for choices.
- 2) Pole Top Assembly weight and EPA must be added to luminaire load data to determine appropriate pole size. Pole top assemblies are designed for a maximum load of 140 lbs and 5.0 EPA per luminaire.