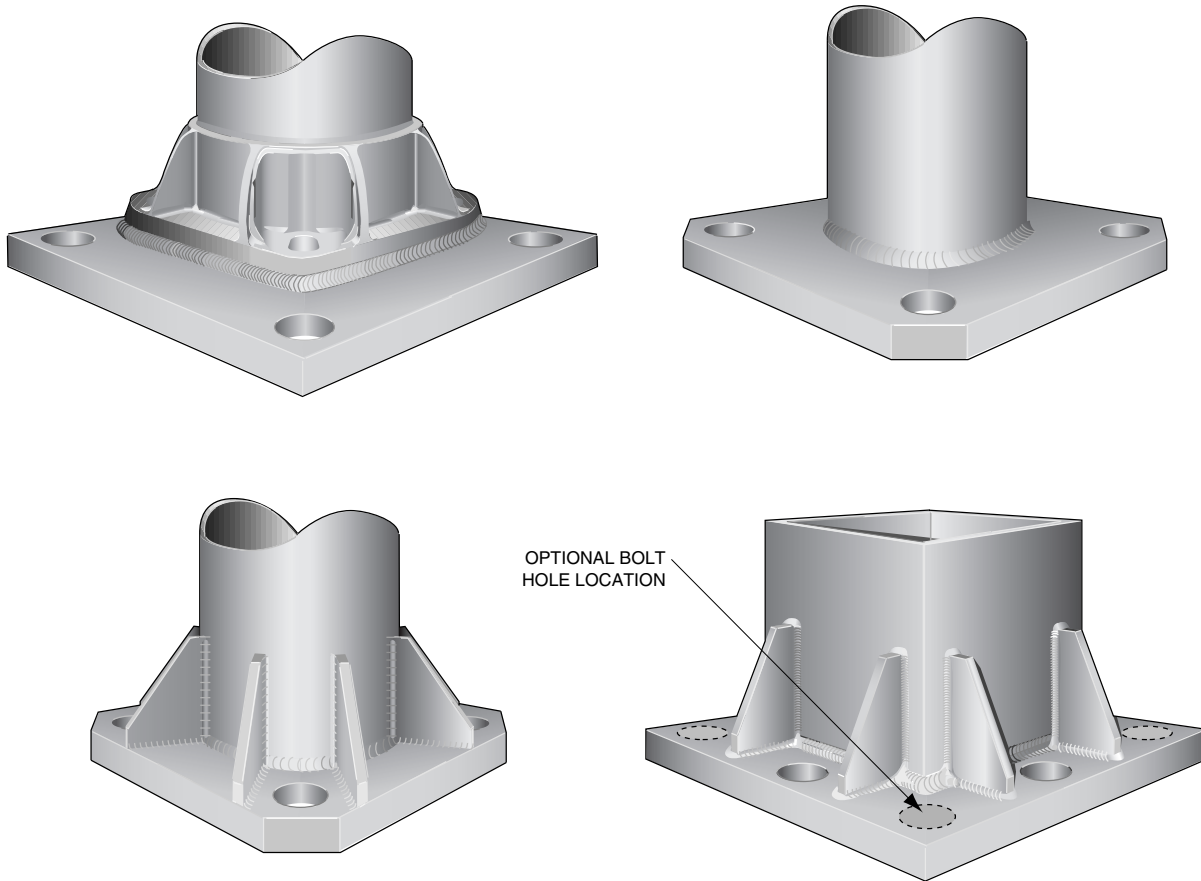


SPECIAL BASE DESIGNS



SPECIFICATIONS

Valmont light poles frequently may be adapted to fit existing anchor bolts set on non-standard bolt circles. Illustrated above are (4) of the ways a light standard may be modified to fit existing bolts.

This type of modification is often less expensive than replacement of the bolts and foundation. A full base cover is usually available to make the installation more aesthetically acceptable.

Alternatives to special base designs are custom-fabricated steel adapter plates or replacement bolts set with epoxy.

As each of these special adaptations must be designed for a specific set of circumstances, please contact the Valmont Industries for assistance with engineering, design, and pricing.