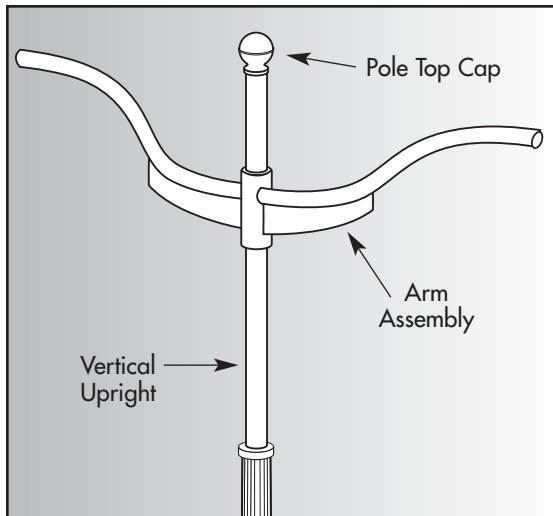


PASEO PTA-PA2



SPECIFICATIONS

Vertical Upright: Vertical upright is manufactured from 3" O.D. extruded seamless 6063 alloy aluminum tube and is heat-treated to produce a T6 temper. It is polished with fine grain aluminum oxide cloths, resulting in a high quality circumferential satin-brushed surface. A 1-1/2" diameter deburred hole aligns with the arm termination for luminaire wiring. Aluminum inserts are factory installed in the vertical upright where required for arm mounting screws.

Luminaire Arm Assemblies: Luminaire arms are manufactured from 2-3/8" O.D. extruded 6063 alloy aluminum tube and are heat-treated to produce a T6 temper. These are polished with fine grain aluminum oxide cloths, resulting in a high quality circumferential satin-brushed surface. The arm is bent and welded to a one-piece half-round aluminum ring. A matching half-round aluminum ring is provided for aesthetic purposes on single arms. The arm is mounted to the vertical upright with three stainless steel flat head socket cap screws. Two screws are located at the top of the casting and one at the bottom of the casting using beveled holes.

Luminaire Mounting: Luminaire arms may be specified with the "D2" - 2" hub down or "E2" - end slip fit options. The "D2" option is supplied with a 1-1/2" female threaded coupling welded 1" from the end of the arm pointing down. A 1-1/2" male threaded coupling is provided to adapt to female hub luminaires. A stainless steel hex drive set screw is provided in the female coupling as an anti-rotation locking device. Open ends of the arms are provided with black polypropylene flat push-in caps. Arms may also be specified with "T2" - 2-3/8" O.D. or "T3" - 3" O.D. tenon for top mounted luminaires. These tenons are located 1" from the end of the arm. "H2" and "H3" mounting has tenon on end mounted 4" O.D. hub.

Pole Top Assembly Mounting to Pole: Pole top assemblies are mounted to City Quartz poles with a "PQ" tenon designed to support all pole top assemblies. This must be ordered with the pole. The vertical upright of the arm assembly is provided with two sets of three stainless steel screws at 120° that secure the pole top assembly to the pole.

Pole Top Caps: Pole top cap options "B" - ball and "D" - half dome are manufactured of spun aluminum components formed together to make a single assembly. The "S" - spike cap is a one-piece cast aluminum part. These three options are mounted with two stainless steel fasteners. The "F" - flat top cap is a one-piece push in style polypropylene part that is available in black finish only.

Finishes: The finish for the pole top assemblies is polyester powder applied coating in accordance with Valmont Industries' Specifications. Pole top assemblies may have different finishes on vertical upright, arm assembly and pole top cap.

CATALOG LOGIC

POLE TOP ASSEMBLY P T	MATERIAL A	SERIES PA 2	NUMBER OF ARMS _____	LUMINAIRE MOUNTING _____	VERTICAL UPRIGHT FINISH V	ARM ASSEMBLY FINISH A	POLE TOP CAP _____	POLE TOP CAP FINISH _____
POLE TOP ASSEMBLY PT= Pole Top Assembly	MATERIAL A= Aluminum	SERIES PA2=Paseo #2	NUMBER OF ARMS 1 = Single 2 = Double @ 180	LUMINAIRE MOUNTING E2 = End Slip Fit 2-3/8" O.D. T2 = Tenon Up 2-3/8" O.D. x 3" T3 = Tenon Up 3" O.D. x 3" D2 = Threaded Hub Down 1-1/2" NPS Female with Male Adapter H2 = Tenon Up-Hub Mounted 2-3/8" O.D. x 3" H3 = Tenon Up-Hub Mounted 3" O.D. ST = Special Mounting (Please Specify)	VERTICAL UPRIGHT, ARM ASSEMBLY, POLE TOP CAP FINISH WH = White SL = Silver HG = Hunter Green BK = Black BR = Burgundy AB = Azure Blue MB = Medium Bronze RD = Red BV = Dark Blue Violet SG = Slate Grey CG = Copper Green SC = Special Color ST = Sandstone BG = Blue Green (Please Specify)			
				POLE TOP CAP B = Ball S = Spike D = Half Dome F = Flat [BK Only]				



ALUMINUM POLE TOP ASSEMBLIES PASEO SERIES "PTA-PA2"



STRUCTURES

CITY QUARTZ ALUMINUM

POLE TOP CAP AND LUMINAIRE MOUNTING OPTIONS

Pole Top Cap Options

B - Ball **S - Spike**

D - Half Dome **F - Flat (Black Only)**

Luminaire Mounting Options

Details are shown to indicate tenon or coupling size. Arm cross section and orientation may vary.

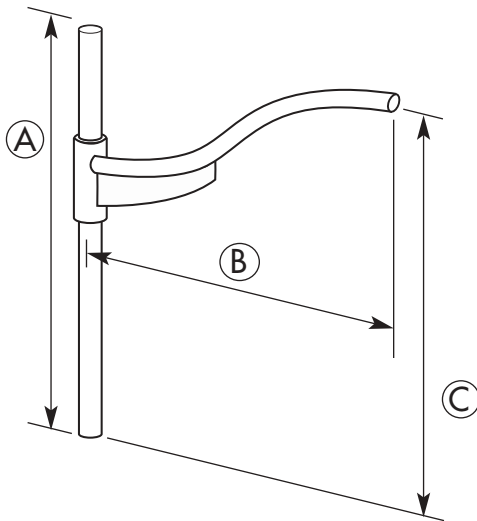
E2 - 2-3/8" O.D. End Slip Fit **H2** - 2-3/8" O.D. Tenon Up on Hub **D2** - Threaded Hub Down, 1-1/2" NPS Female Coupling

T2 - 2-3/8" O.D. Tenon Up **H3** - 3" O.D. Tenon Up on Hub **T3** - 3" O.D. Tenon Up

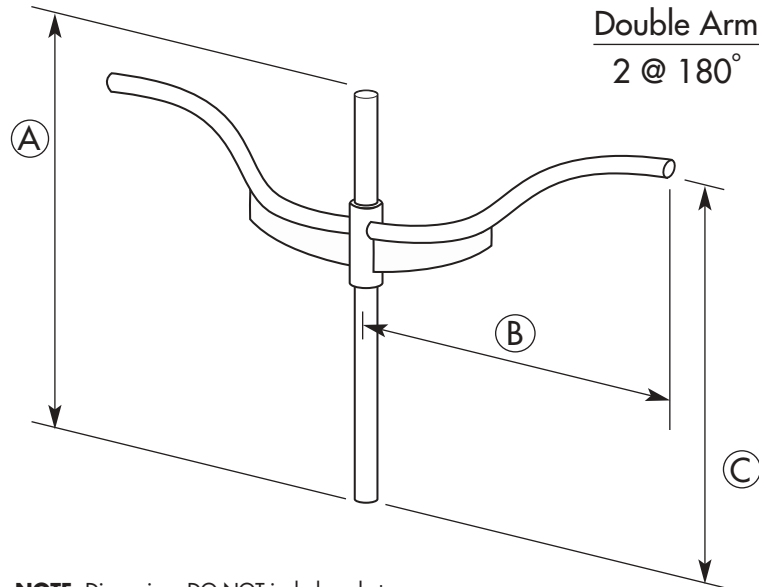
Note: D2, T2 and T3 options provided with polypropylene flush black end cap.

STANDARD DIMENSIONAL AND LOAD DATA

Single Arm



Double Arm 2 @ 180°



NOTE: Dimensions DO NOT include pole top caps.

POLE TOP SERIES	DIMENSIONS			LOAD DATA	
	(A) OVERALL HEIGHT	(B) HORIZ. DISTANCE TO LUMINAIRE	(C) HEIGHT TO LUMINAIRE ABOVE POLE TOP	POLE TOP ASSEMBLY EPA (SQ FT)	POLE TOP ASSEMBLY WEIGHT (LBS)
Single Arm PTA-PA2-1-(M)-(VF)-(AF)-(TC)-(TF)	4' - 6"	3' - 4"	4' - 3"	3.2	38
Double Arm (2 @ 180 Degrees) PTA-PA2-2-(M)-(VF)-(AF)-(TC)-(TF)	4' - 6"	3' - 4"	4' - 3"	4.9	44

SPC7043 06/05

"PTA" Aluminum Pole Top Assemblies Ordering Notes:

- 1) Replace (M) with Luminaire Mounting Selection, (VF) with Vertical Upright Finish Selection, (AF) with Arm Assembly Finish Selection, (TC) with Pole Top Cap Selection and (TF) with Pole Top Cap Finish Selection. See Catalog Logic for choices.
- 2) Pole Top Assembly weight and EPA must be added to luminaire load data to determine appropriate pole size. Pole top assemblies are designed for a maximum load of 120 lbs and 5.0 EPA per luminaire.