

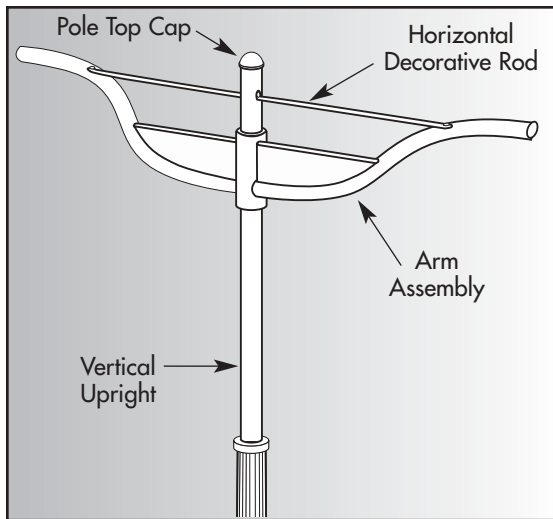
SPECIFICATIONS

Vertical Upright: Vertical upright is manufactured from 3" O.D. extruded seamless 6063 alloy aluminum tube and is heat-treated to produce a T6 temper. It is polished with fine grain aluminum oxide cloths, resulting in a high quality circumferential satin-brushed surface. A 1-1/2" diameter deburred hole aligns with the arm termination for luminaire wiring. Aluminum inserts are factory installed in the vertical upright where required for arm mounting screws.

Luminaire Arm Assemblies: Luminaire arms are manufactured from 2-3/8" O.D. extruded 6063 alloy aluminum tube and are heat-treated to produce a T6 temper. These are polished with fine grain aluminum oxide cloths, resulting in a high quality circumferential satin-brushed surface. The arm is bent and welded to a one-piece half-round aluminum ring. A matching half-round aluminum ring is provided for aesthetic purposes on single arms. The arm is mounted to the vertical upright with 3 stainless steel flat head socket cap screws. Two screws are located at the top of the casting and one at the bottom of the casting using beveled holes. Decorative horizontal aluminum rod is constructed of 1/2" O.D. x .109" extruded alloy aluminum and field installed with stainless steel fasteners.

Luminaire Mounting: Luminaire arms may be specified with the "D2" – 2" hub down or "E2" – end slip fit options. The "D2" option is supplied with a 1-1/2" female threaded coupling welded 1" from the end of the arm pointing down. A 1-1/2" male threaded coupling is provided to adapt to female hub luminaires. A stainless steel hex drive set screw is provided in the female coupling as an anti-rotation locking device. Open ends of the arms are provided with black polypropylene flat push-in caps. Arms may also be specified with "T2" – 2-3/8" O.D. or "T3" – 3" O.D. tenon for top mounted luminaires. These tenons are located 1" from the end of the arm.

PASEO PTA-PA1



Pole Top Assembly Mounting to Pole: Pole top assemblies are mounted to City Quartz poles with a special "PQ" designed to support all pole top assemblies. This must be ordered with the pole. The vertical upright of the arm assembly is provided with two sets of three stainless steel screws at 120° that secure the pole top assembly to the pole.

Pole Top Caps: Pole top cap options "B" – ball and "D" – half dome are manufactured of spun aluminum components formed together to make a single assembly. The "S" – spike cap is a one-piece cast aluminum part. These three options are mounted with two stainless steel fasteners. The "F" – flat top cap is a one-piece push in style polypropylene part that is available in black finish only.

Finishes: The finish for the pole top assemblies is polyester powder applied coating in accordance with Valmont Industries' Specifications. Pole top assemblies may have different finishes on vertical upright (which includes the horizontal decorative rod), arm assembly and pole top cap.

CATALOG LOGIC

| | | | | | | | | |
|---|--------------------------------|-------------------------------|---|---|---|---|-------------------------|--------------------------------|
| POLE TOP ASSEMBLY P T | MATERIAL A | SERIES P A 1 | NUMBER OF ARMS | LUMINAIRE MOUNTING | VERTICAL UPRIGHT FINISH V | ARM ASSEMBLY FINISH A | POLE TOP CAP | POLE TOP CAP FINISH |
| POLE TOP ASSEMBLY PT= Pole Top Assembly | MATERIAL A= Aluminum | SERIES PA1=Paseo #1 | NUMBER OF ARMS 1 = Single 2 = Double @ 180 | LUMINAIRE MOUNTING E2 = End Slip Fit 2-3/8" O.D. T2 = Tenon Up 2-3/8" O.D. x 3" T3 = Tenon Up 3" O.D. x 3" D2 = Threaded Hub Down 1-1/2" NPS Female with Male Adapter ST = Special Mounting (Please Specify) | VERTICAL UPRIGHT, ARM ASSEMBLY, POLE TOP CAP FINISH ^① WH = White BK = Black MB = Medium Bronze SG = Slate Grey ST = Sandstone SL = Silver BR = Burgundy RD = Red CG = Copper Green BG = Blue Green HG = Hunter Green AB = Azure Blue BV = Dark Blue Violet SC = Special Color (Please Specify) | POLE TOP CAP B = Ball S = Spike D = Half Dome F = Flat (BK Only) | | |
| ① Horizontal decorative rod is finished in the color selected for the vertical upright. | | | | | | | | |



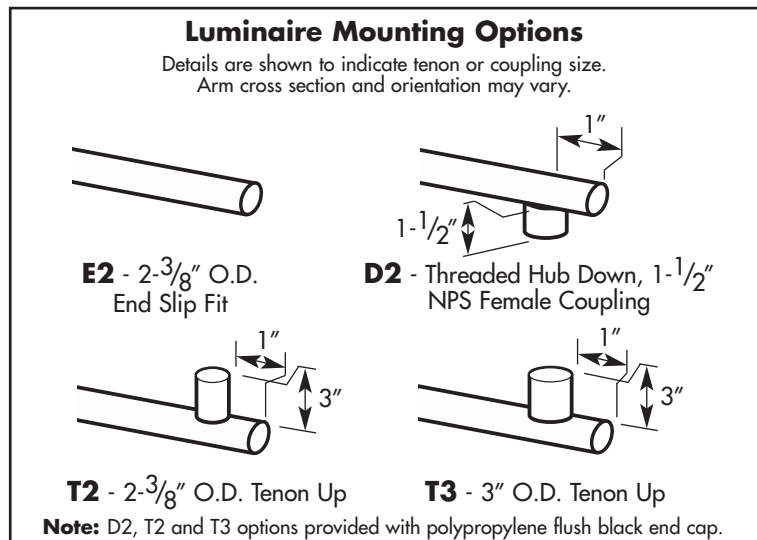
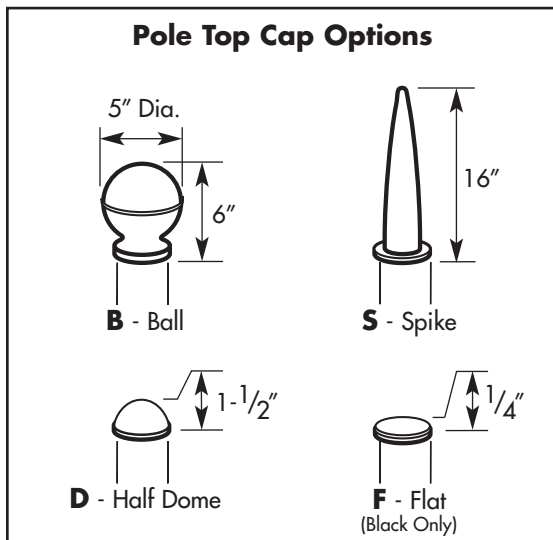
ALUMINUM POLE TOP ASSEMBLIES PASEO SERIES "PTA-PA1"

valmont

STRUCTURES

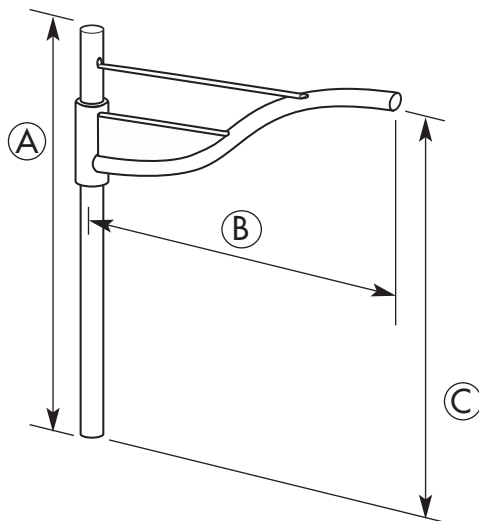
CITY QUARTZ ALUMINUM

POLE TOP CAP AND LUMINAIRE MOUNTING OPTIONS



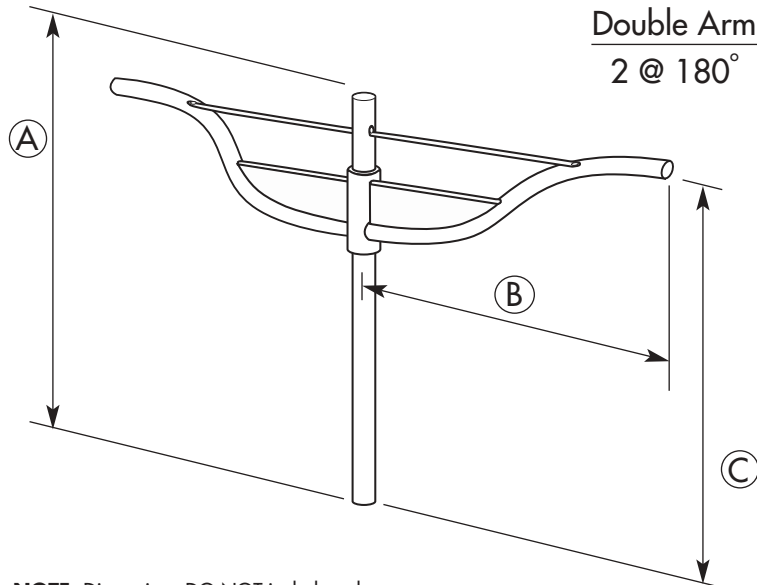
STANDARD DIMENSIONAL AND LOAD DATA

Single Arm



Double Arm

2 @ 180°



NOTE: Dimensions DO NOT include pole top caps.

| POLE TOP SERIES | DIMENSIONS | | | LOAD DATA | |
|---|--------------------|----------------------------------|--|-------------------------------|--------------------------------|
| | (A) OVERALL HEIGHT | (B) HORIZ. DISTANCE TO LUMINAIRE | (C) HEIGHT TO LUMINAIRE ABOVE POLE TOP | POLE TOP ASSEMBLY EPA (SQ FT) | POLE TOP ASSEMBLY WEIGHT (LBS) |
| Single Arm PTA-PA1-1-(M)-(VF)-(AF)-(TC)-(TF) | 4' - 6" | 3' - 4" | 4' - 3" | 3.34 | 40 |
| Double Arm (2 @ 180 Degrees) PTA-PA1-2-(M)-(VF)-(AF)-(TC)-(TF) | 4' - 6" | 3' - 4" | 4' - 3" | 5.17 | 48 |

"PTA" Aluminum Pole Top Assemblies Ordering Notes:

1) Replace (M) with Luminaire Mounting Selection, (VF) with Vertical Upright Finish Selection, (AF) with Arm Assembly Finish Selection, (TC) with Pole Top Cap Selection and (TF) with Pole Top Cap Finish Selection. See Catalog Logic for choices.

2) Pole Top Assembly weight and EPA must be added to luminaire load data to determine appropriate pole size. Pole top assemblies are designed for a maximum load of 120 lbs and 5.0 EPA per luminaire.

3-CQA-10B Valmont Industries, Inc., 7002 N. 288th St., P.O. Box 358 ~ Valley, Nebraska 68064-0358 (402) 359-2201 ~ www.valmont.com

SPC7042 06/05